



E33 Gas Insert

MODELS: E33-NG10 Natural Gas E33-LP10 Propane

Owners & Installation Manual



⚠ WARNING

FIRE OR EXPLOSION HAZARD

Failure to follow safety warnings exactly could result in serious injury, death, or property damage.

- Do not store or use gasoline or other flammable vapors and liquids in the vicinity of this or any other appliance.

- **WHAT TO DO IF YOU SMELL GAS**
 - Do not try to light any appliance.
 - Do not touch any electrical switch: do not use any phone in your building. Leave the building immediately.
 - Immediately call your gas supplier from a neighbour's phone. Follow the gas supplier's instructions.
 - If you cannot reach your gas supplier, call the fire department.

- Installation and service must be performed by a qualified installer, service agency or the gas supplier.

Tested by:




Installer: Please complete the details on the back cover and leave this manual with the homeowner.
Homeowner: Please keep these instructions for future reference.

REGENCY GAS FIREPLACE INSERT

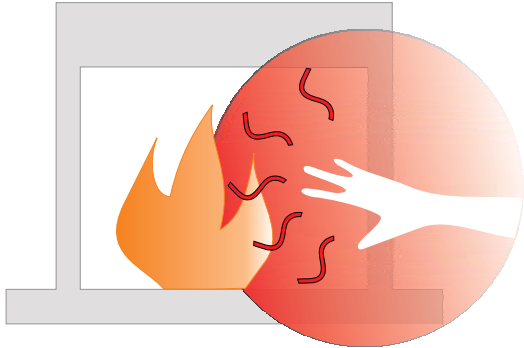
TO THE NEW OWNER

Congratulations! You are the owner of a state-of-the-art Gas Insert by Regency.

The E33 Gas Insert has been designed to provide you with all the warmth and charm of a fireplace, at the flick of a switch. The E33-NG10 and E33-LP10 have been approved by Warnock Hersey/Intertek for both safety and efficiency. As it also bears our own mark, it promises to provide you with economy, comfort and security for many trouble free years to follow. Please take a moment now to acquaint yourself with these instructions and the many features of your Regency Fireplace.



DANGER



**HOT GLASS WILL
CAUSE BURNS**

**DO NOT TOUCH GLASS
UNTIL COOLED**

**NEVER ALLOW CHILDREN
TO TOUCH GLASS**

A barrier designed to reduce the risk of burns from the hot viewing glass is provided with this appliance and shall be installed for the protection of children and other at risk individuals.

CAUTION:
HOT WHILE IN OPERATION. DO NOT TOUCH.
SEVERE BURNS MAY RESULT. KEEP CHILDREN, CLOTHING, FURNITURE,
GASOLINE, AND ANY LIQUIDS WITH FLAMMABLE VAPOURS AWAY.

**KEEP BURNER AND CONTROL COMPARTMENT CLEAN.
SEE INSTALLATION AND OPERATING INSTRUCTIONS ACCOMPANYING
APPLIANCE.**

919-358



NATIONAL
FIREPLACE
INSTITUTE

CERTIFIED
www.nficertified.org

We recommend that our products be installed and serviced by professionals who are certified in the U.S. by the National Fireplace Institute® (NFI) or in Canada by Wood Energy Technical Training (WETT).

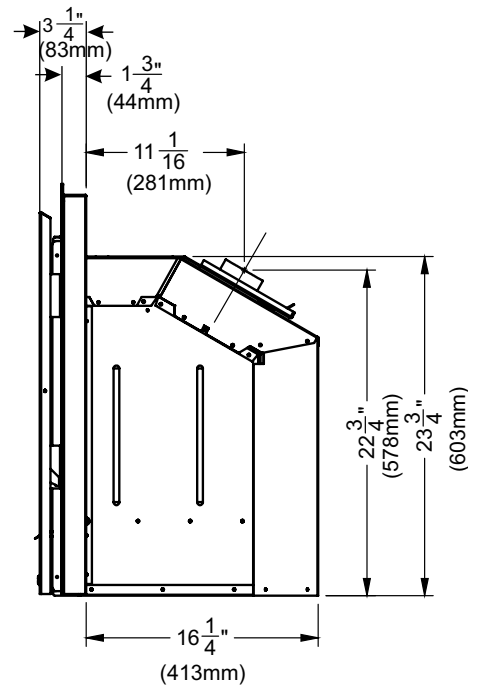
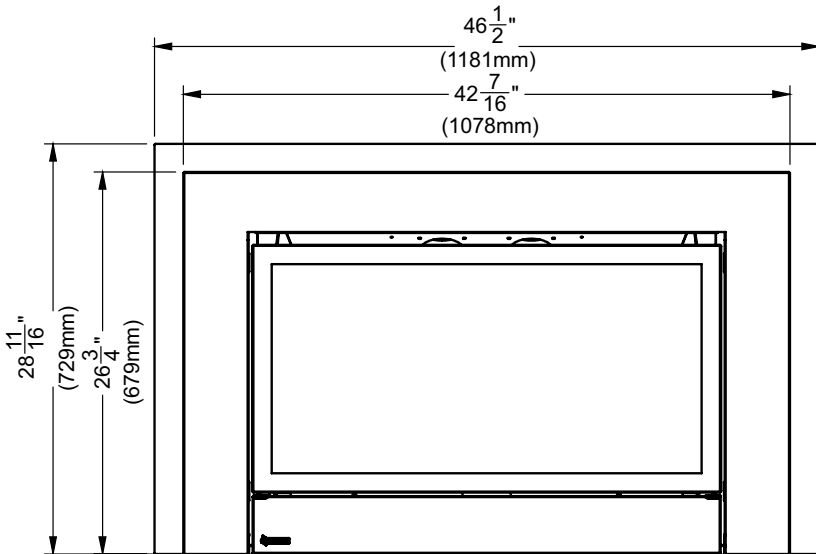
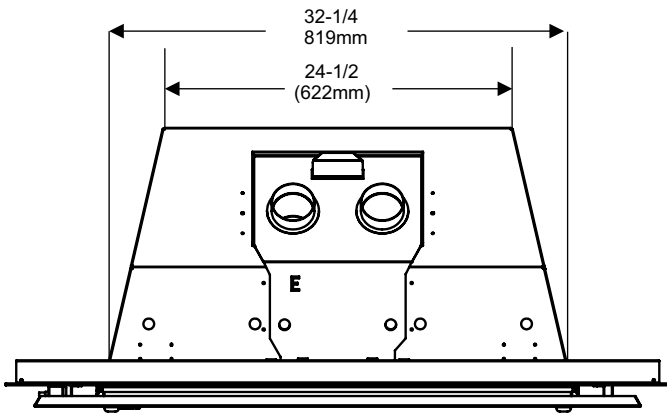


Wood Energy
Technical Training

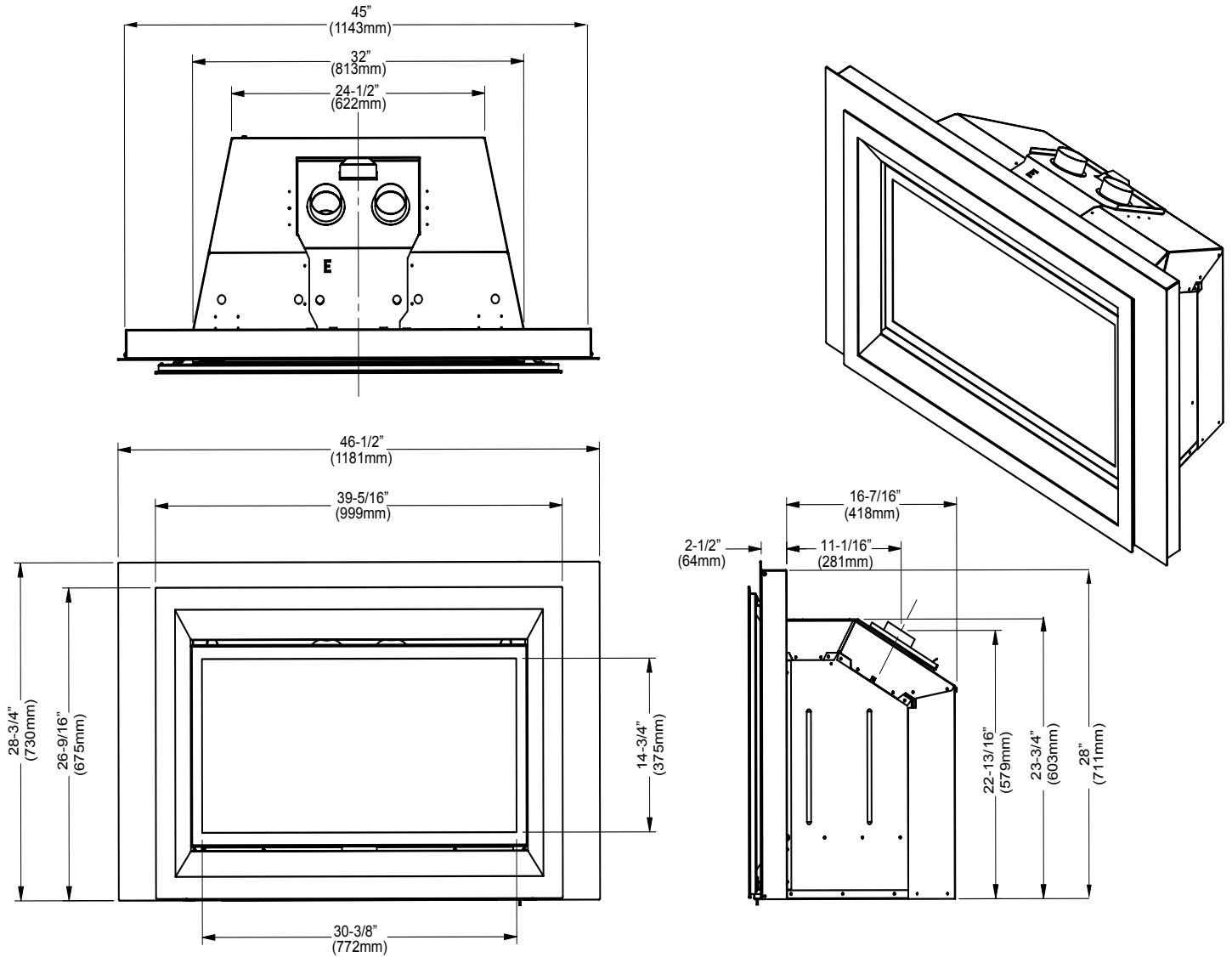


Energy E33 Video

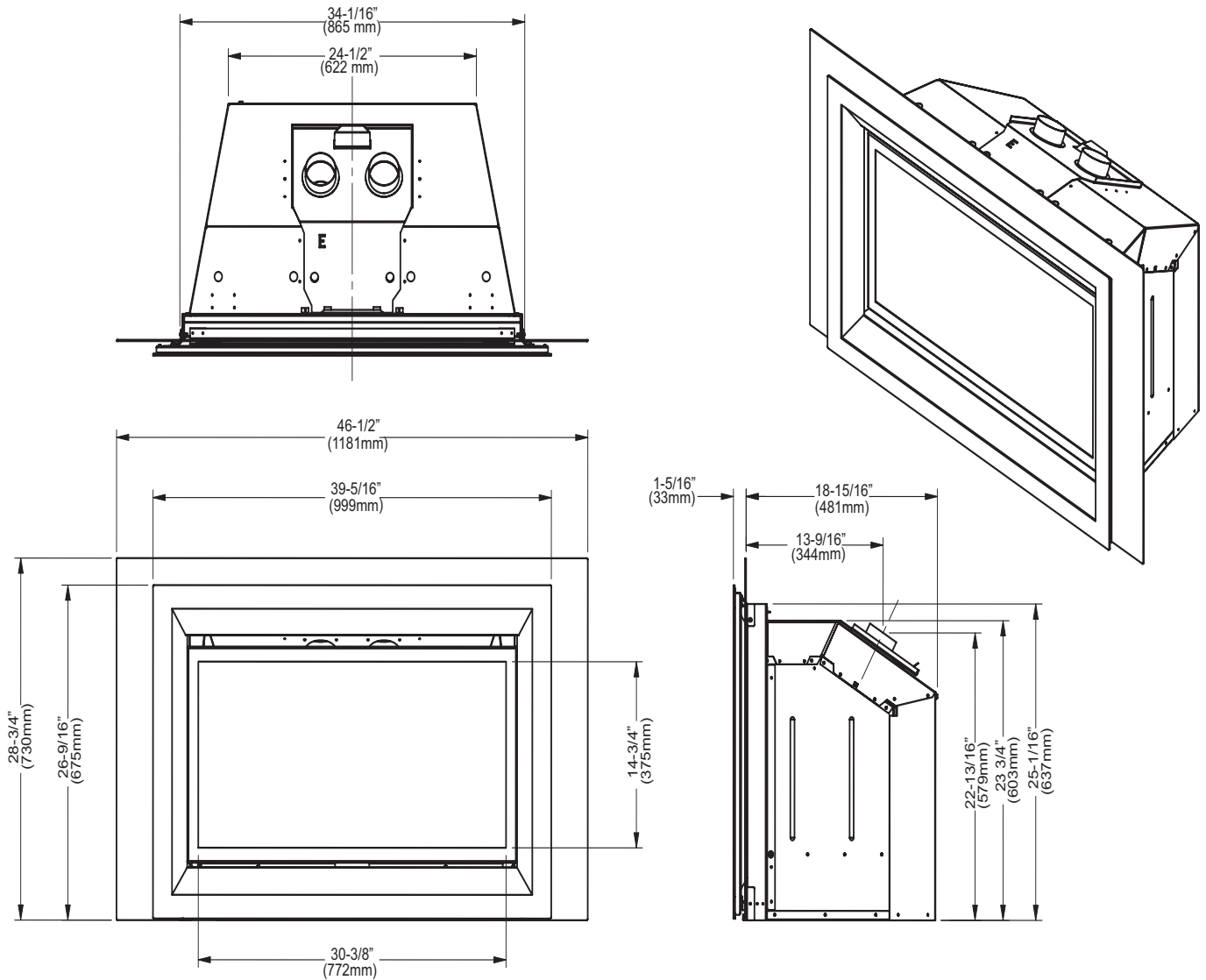
UNIT DIMENSIONS
LOW PROFILE FACEPLATE



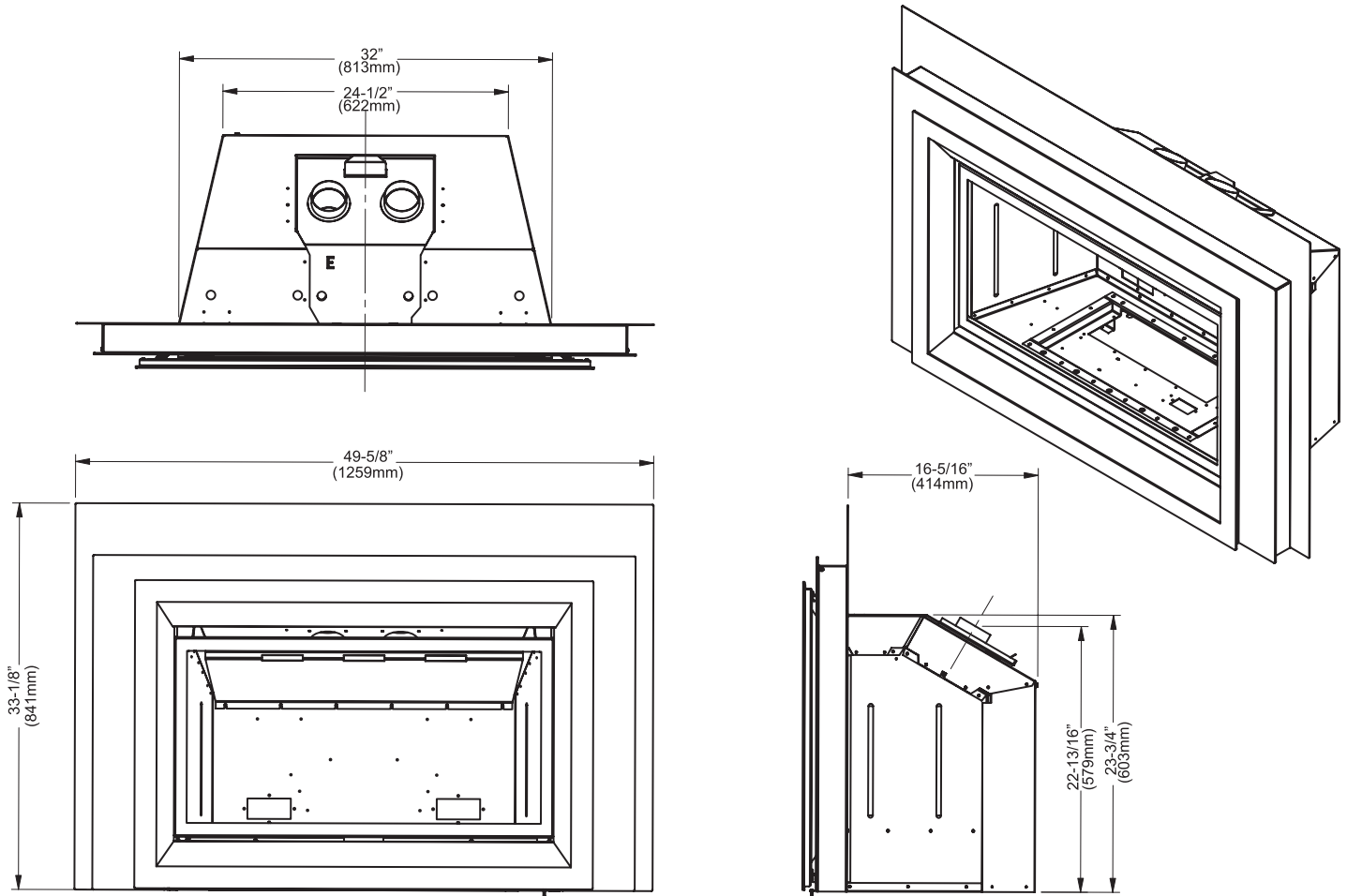
UNIT DIMENSIONS
OPTIONAL VIGNETTE FACEPLATE WITH SPACER



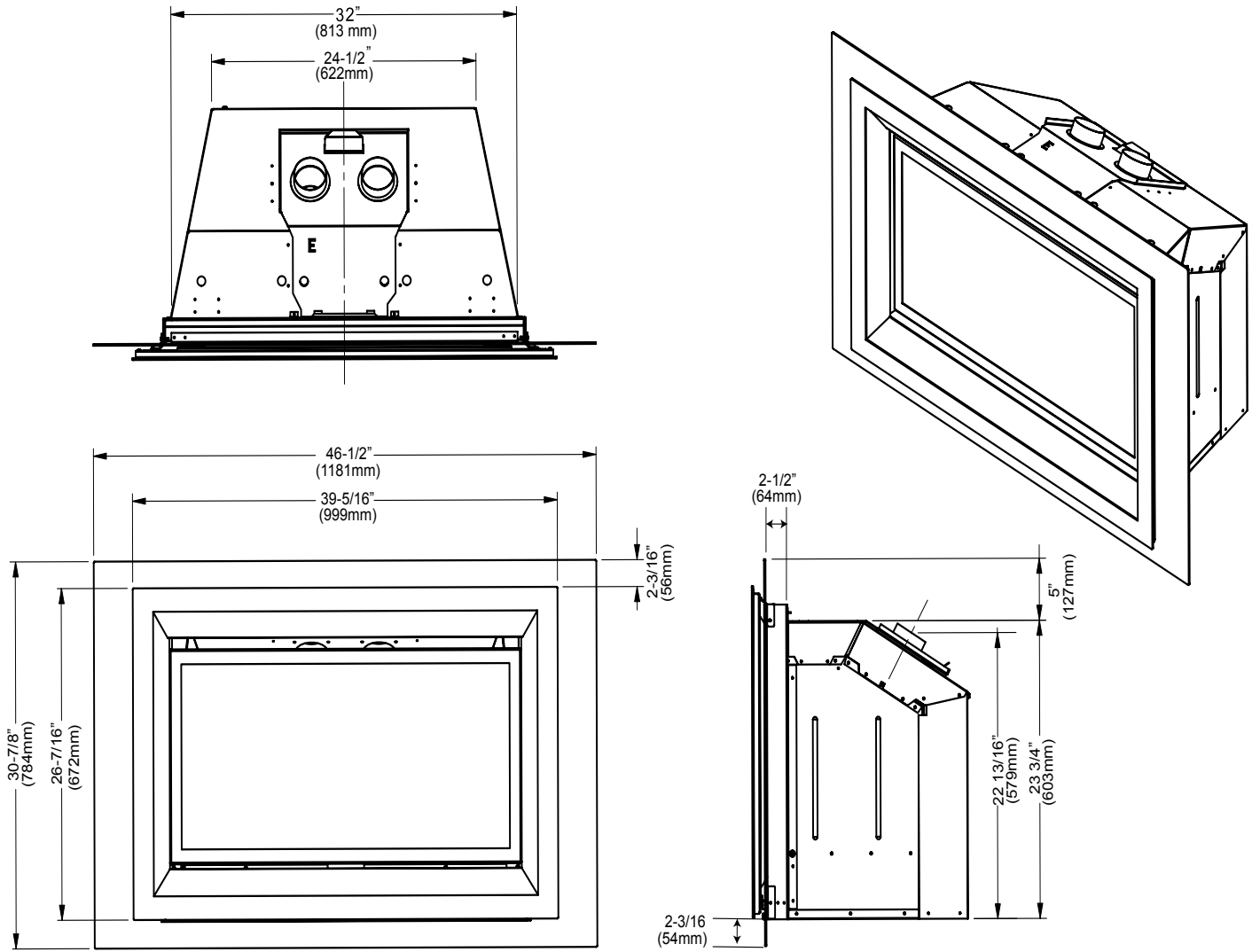
UNIT DIMENSIONS
OPTIONAL VIGNETTE FACEPLATE WITHOUT SPACER



**UNIT DIMENSIONS
OVERSIZE BACKINGPLATE WITH SPACER**



UNIT DIMENSIONS
OPTIONAL 4 SIDED VIGNETTE FACEPLATE



DIMENSIONS

Unit Dimensions Low Profile Faceplate..... 3
 Unit Dimensions Optional Vignette Faceplate
 With Spacer 4
 Unit Dimensions Optional Vignette Faceplate Without
 Spacer 5
 Unit Dimensions Oversize Backingplate With Spacer... 6
 Unit Dimensions Optional 4 Sided Vignette Faceplate.. 7

SAFETY LABEL

Copy Of Safety Label 9

REQUIREMENTS

MA Code - Co Detector 10

INSTALLATION

Important Message For Your Safety..... 11
 Before You Start 11
 Gas Pressure Testing 12
 Specifications 12
 Installation Into A Solid Fuel Burning Fireplace Or
 Factory Built Fireplace..... 12
 Installation Checklist..... 12
 Materials Required 12
 Gas Insert Aeration System..... 13
 Minimum Fireplace Opening..... 13
 Combustible Mantel Clearances..... 14
 Minimum Clearances To Combustibles 14
 Gas Connection 15
 Venting..... 15
 Flue Liner Installation 15
 Gas Pipe Pressure Testing 16
 SIT 829 Valve Description 16
 DC Spark Igniter Battery Installation 16
 Optional Brick Panel 16
 Brick Panel Installation 17
 Log Set Installation 18
 Conversion Kit 342-969 From NG To LP 21

For E33-10 Using Sit 829 Nova Gas Valve 21
 Optional Vignette Faceplate Installation 22
 Spacer Installation For 3 Sided Vignette Faceplate 23
 Oversize Backing Plate Installation 24
 Optional Vignette Inlay Installation 25
 Optional Hearth Trim Installation- Vignette Faceplate
 With Spacer And Low Profile Faceplate 27
 Optional Hearth Trim Installation- Vignette Faceplate
 Without Spacer 28
 Optional Hearth Trim Installation-Low Profile 29
 Safety Screen Installation- Low Profile Faceplate 30
 Standard Flush Door 30
 Wiring Diagram..... 31
 Optional Wall Thermostat 31

OPERATING INSTRUCTIONS

First Fire 32
 Operating Instructions 32
 Lighting Procedure 32
 Shutdown Procedure 32
 Copy Of Lighting Instruction Plate 33
 Automatic Convection Fan Operation..... 33
 Normal Operating Sounds Of Gas Appliances 33

MAINTENANCE

Maintenance Instructions..... 34
 General Vent Maintenance 34
 Log Replacement 34
 Glass Gasket..... 34
 Door Glass 35
 Fan Maintenance..... 35
 Valve Assembly Removal And Installation..... 36

PARTS LIST

Main Assembly 37
 Burner & Log Assembly 38
 Vignette Faceplate 39

WARRANTY


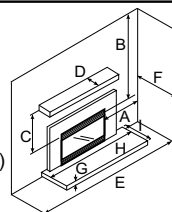
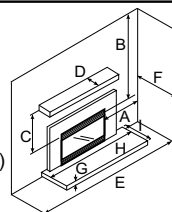
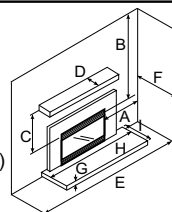
Warranty 40

This is a copy of the labels that accompany each E33 Gas Insert. We have printed a copy of the contents here for your review. The safety label is located on a plate inside the base of the unit visible when the bottom louver is opened. Ensure that the safety label is attached to the unit.

NOTE: Regency units are constantly being improved. Check the label on the unit and if there is a difference, the label on the unit is the correct one.

COPY OF SAFETY LABEL

Duplicate Serial number **298**

 Intertek 4001172	<p>Listed: VENTED GAS FIREPLACE HEATER / FOYER AU GAZ À ÉVACUATION Certified for/Certifiée pour: CANADA and U.S.A. Certified to: CAN/CGA-2.17-M91(R2009) Tested to: ANSI Z21.88-2014 & CSA 2.33-2014</p>	<p>DO NOT REMOVE THIS LABEL / NE PAS ENLEVER CETTE ÉTIQUETTE</p> <div style="border: 1px solid black; padding: 2px 10px; text-align: center; margin: 5px auto;">298</div> <p><i>Serial No. / No de serie</i></p>																																														
 Model/Modelo: E33-NG10	<p>NATURAL GAS FIREPLACE INSERT: MODEL E33-NG10 ÉQUIPÉ A L'UISINE POUR GAZ NATURAL Factory Equipped For Altitude 0-4500ft. (0-1370m)</p> <table style="width: 100%; border-collapse: collapse;"> <tr> <td style="width: 30%;">Min. Supply Pressure</td> <td style="width: 10%;">5"</td> <td style="width: 10%;">WC</td> <td style="width: 10%;">(1.25 kpa)</td> <td style="width: 40%;">Pression d'alimentation minimum</td> </tr> <tr> <td>Low Setting Man. Pressure</td> <td>1.1"</td> <td>WC</td> <td>(0.27 kpa)</td> <td>Pression à la tubulure d'échappement basse</td> </tr> <tr> <td>Max. Manifold Pressure</td> <td>3.8"</td> <td>WC</td> <td>(0.95 kpa)</td> <td>Pression à la tubulure d'échappement élevée</td> </tr> <tr> <td>Orifice Size</td> <td>31</td> <td>DMS</td> <td></td> <td>Dimensions de l'orifice</td> </tr> <tr> <td>Minimum Input</td> <td>20,000</td> <td>Btu/h</td> <td>(5.86 kW)</td> <td>Débit Calorifique minimum</td> </tr> <tr> <td>Maximum Input</td> <td>38,000</td> <td>Btu/h</td> <td>(11.13 kW)</td> <td>Débit Calorifique maximum</td> </tr> </table>		Min. Supply Pressure	5"	WC	(1.25 kpa)	Pression d'alimentation minimum	Low Setting Man. Pressure	1.1"	WC	(0.27 kpa)	Pression à la tubulure d'échappement basse	Max. Manifold Pressure	3.8"	WC	(0.95 kpa)	Pression à la tubulure d'échappement élevée	Orifice Size	31	DMS		Dimensions de l'orifice	Minimum Input	20,000	Btu/h	(5.86 kW)	Débit Calorifique minimum	Maximum Input	38,000	Btu/h	(11.13 kW)	Débit Calorifique maximum																
Min. Supply Pressure	5"	WC	(1.25 kpa)	Pression d'alimentation minimum																																												
Low Setting Man. Pressure	1.1"	WC	(0.27 kpa)	Pression à la tubulure d'échappement basse																																												
Max. Manifold Pressure	3.8"	WC	(0.95 kpa)	Pression à la tubulure d'échappement élevée																																												
Orifice Size	31	DMS		Dimensions de l'orifice																																												
Minimum Input	20,000	Btu/h	(5.86 kW)	Débit Calorifique minimum																																												
Maximum Input	38,000	Btu/h	(11.13 kW)	Débit Calorifique maximum																																												
 Model/Modelo: E33-LP10	<p>PROPANE GAS FIREPLACE INSERT: MODEL E33-LP10 ÉQUIPÉ A L'UISINE POUR GAZ PROPANE Factory Equipped For Altitude 0-4500ft. (0-1370m)</p> <table style="width: 100%; border-collapse: collapse;"> <tr> <td style="width: 30%;">Min. Supply Pressure</td> <td style="width: 10%;">12"</td> <td style="width: 10%;">WC</td> <td style="width: 10%;">(2.99 kpa)</td> <td style="width: 40%;">Pression d'alimentation minimum</td> </tr> <tr> <td>Low Setting Man. Pressure</td> <td>2.9"</td> <td>WC</td> <td>(0.72 kpa)</td> <td>Pression à la tubulure d'échappement basse</td> </tr> <tr> <td>Max. Manifold Pressure</td> <td>11"</td> <td>WC</td> <td>(2.74 kpa)</td> <td>Pression à la tubulure d'échappement élevée</td> </tr> <tr> <td>Orifice Size</td> <td>50</td> <td>DMS</td> <td></td> <td>Dimensions de l'orifice</td> </tr> <tr> <td>Minimum Input</td> <td>19,000</td> <td>Btu/h</td> <td>(5.56 kW)</td> <td>Débit Calorifique minimum</td> </tr> <tr> <td>Maximum Input</td> <td>35,500</td> <td>Btu/h</td> <td>(10.4 kW)</td> <td>Débit Calorifique maximum</td> </tr> </table>		Min. Supply Pressure	12"	WC	(2.99 kpa)	Pression d'alimentation minimum	Low Setting Man. Pressure	2.9"	WC	(0.72 kpa)	Pression à la tubulure d'échappement basse	Max. Manifold Pressure	11"	WC	(2.74 kpa)	Pression à la tubulure d'échappement élevée	Orifice Size	50	DMS		Dimensions de l'orifice	Minimum Input	19,000	Btu/h	(5.56 kW)	Débit Calorifique minimum	Maximum Input	35,500	Btu/h	(10.4 kW)	Débit Calorifique maximum																
Min. Supply Pressure	12"	WC	(2.99 kpa)	Pression d'alimentation minimum																																												
Low Setting Man. Pressure	2.9"	WC	(0.72 kpa)	Pression à la tubulure d'échappement basse																																												
Max. Manifold Pressure	11"	WC	(2.74 kpa)	Pression à la tubulure d'échappement élevée																																												
Orifice Size	50	DMS		Dimensions de l'orifice																																												
Minimum Input	19,000	Btu/h	(5.56 kW)	Débit Calorifique minimum																																												
Maximum Input	35,500	Btu/h	(10.4 kW)	Débit Calorifique maximum																																												
<p>Mantel Clearances</p> <table style="width: 100%; border-collapse: collapse;"> <tr> <td style="width: 20%;">Alcove Width</td> <td style="width: 10%;">E</td> <td style="width: 10%;">76"</td> <td style="width: 10%;">(1930mm)</td> <td rowspan="2" style="width: 20%; text-align: center; vertical-align: middle;">  </td> <td style="width: 35%;"></td> </tr> <tr> <td>Alcove Depth</td> <td>F</td> <td>36"</td> <td>(914mm)</td> <td></td> </tr> </table> <p>Non-Combustible Hearth Extension</p> <table style="width: 100%; border-collapse: collapse;"> <tr> <td style="width: 20%;">Hearth Height</td> <td style="width: 10%;">G</td> <td style="width: 10%;">1-1/4"</td> <td style="width: 10%;">(32mm)</td> <td></td> </tr> <tr> <td>Hearth Width</td> <td>H</td> <td>45-1/2"</td> <td>(1156mm)</td> <td></td> </tr> <tr> <td>Hearth Depth</td> <td>I</td> <td>13"</td> <td>(330mm)</td> <td></td> </tr> </table> <p><small>* Alcove side wall must have a min. of 8" clearance on one side.</small></p>		Alcove Width	E	76"	(1930mm)			Alcove Depth	F	36"	(914mm)		Hearth Height	G	1-1/4"	(32mm)		Hearth Width	H	45-1/2"	(1156mm)		Hearth Depth	I	13"	(330mm)		<p>NATURAL GAS FIREPLACE INSERT: MODEL E33-NG1 Factory Equipped For Altitude 0-4500ft. (0-1370m)</p> <table style="width: 100%; border-collapse: collapse;"> <tr> <td style="width: 30%;">Min. Supply Pressure</td> <td style="width: 10%;">5"</td> <td style="width: 10%;">WC</td> <td style="width: 10%;">(1.25 kpa)</td> <td style="width: 40%;"></td> </tr> <tr> <td>Low Setting Man. Pressure</td> <td>1.1"</td> <td>WC</td> <td>(0.27 kpa)</td> <td></td> </tr> <tr> <td>Max. Manifold Pressure</td> <td>3.8"</td> <td>WC</td> <td>(0.95 kpa)</td> <td></td> </tr> <tr> <td>Orifice Size</td> <td>31</td> <td>DMS</td> <td></td> <td></td> </tr> </table> <p style="text-align: center;">MADE IN CANADA / FABRIQUE AU CANADA</p>	Min. Supply Pressure	5"	WC	(1.25 kpa)		Low Setting Man. Pressure	1.1"	WC	(0.27 kpa)		Max. Manifold Pressure	3.8"	WC	(0.95 kpa)		Orifice Size	31	DMS		
Alcove Width	E	76"	(1930mm)																																													
Alcove Depth	F	36"	(914mm)																																													
Hearth Height	G	1-1/4"	(32mm)																																													
Hearth Width	H	45-1/2"	(1156mm)																																													
Hearth Depth	I	13"	(330mm)																																													
Min. Supply Pressure	5"	WC	(1.25 kpa)																																													
Low Setting Man. Pressure	1.1"	WC	(0.27 kpa)																																													
Max. Manifold Pressure	3.8"	WC	(0.95 kpa)																																													
Orifice Size	31	DMS																																														
<p>FPI Fireplace Products International Ltd., Delta BC, CANADA</p> <p><small>This appliance must be installed in accordance with local codes, if any; if none, follow the National Fuel Gas Code, ANSI Z223.1, or Natural Gas and Propane Installation Code, CSA B149.1. This appliance must be installed in accordance with the Standard CAN/CSA Z240 MH, Mobile Housing, in Canada, or with the Manufactured Home Construction and Safety Standard, Title 24 CFR, Part 3280, in the United States, or when such a standard is not applicable, ANSI/NCSBCS A225.1/NFPA 501A, Manufactured Home Installations Standard or ANSI A119.2 ou NFPA 501C Standard for Recreational Vehicles This appliance is only for use with the type of gas indicated on the rating plate and may be installed in an aftermarket, permanently located, manufactured (mobile) home where not prohibited by local codes. See owner's manual for details. WARNING: This fireplace has been converted for use with a gas fireplace insert only and cannot be used for burning wood or solid fuels unless all original parts have been replaced, and the fireplace re-approved by the authority having jurisdiction. Installer l'appareil selon les codes ou règlements locaux, ou, en l'absence de tels règlements, selon les codes d'installation ANSI Z223.1, National Fuel Gas Code ou CSA-B149.1 en vigueur. Installer l'appareil selon la norme CAN/CSA-Z240, Série MM, Maison mobiles ou CAN/CSA-Z240 VC, Véhicules de camping, ou la norme 24 CFR Part 3280, Manufactured Home Construction and Safety Standard. Si ces normes ne sont pas pertinentes, utilisez la norme ANSI/NCSBCS A225.1/NFPA 501A, Manufactured Home Installations Standard, ou ANSI A119.2 ou NFPA 501C Standard for Recreational Vehicles. Cet appareil doit être utilisé uniquement avec le type de gaz indiqué sur la plaque signalétique. Cet appareil peut être installé dans une maison préfabriquée ou mobile (É.-U. seulement) installée à demeure si les règlements locaux le permettent. Voir la notice de l'utilisateur pour plus de renseignements. Cet appareil ne peut pas être utilisé avec d'autres gaz sauf si une trousse de conversion certifiée est fournie. AVERTISSEMENT: Ce foyer a été converti pour utilisation avec un foyer au gaz encastrable et ne peut être utilisé pour brûler du bois ou d'autres combustibles solides à moins que toutes les pièces d'origine aient été remplacées et que le foyer ait été approuvé de nouveau par l'autorité compétente. This vented gas fireplace heater is not for use with air filters. Ne pas utiliser de filtre à air avec ce foyer au gaz à évacuation. For use with glass doors certified with the appliance only. Pour utilisation uniquement avec les portes en verre certifiées avec l'appareil For Use Only with Barrier (Part # 342-013) With Low Profile or (Part n° 342-049) Installed with Vignette Follow installation instructions. Utiliser uniquement avec l'écran (n° 342-013) avec Profile Bas ou (n° 342-049) Install avec Vignette. Suivre les instructions d'installation. VENTED GAS FIREPLACE HEATER - NOT FOR USE WITH SOLID FUELS. / FOYER AU GAZ À ÉVACUATION - NE PAS UTILISER AVEC DU COMBUSTIBLE SOLIDE.</small></p>																																																

919-378a

E33-10 FPI Direct Vent Gas Insert | 9

MA Code - CO Detector (for the State of Massachusetts only)

5.08: Modifications to NFPA-54, Chapter 10

(2) Revise 10.8.3 by adding the following additional requirements:

(a) For all side wall horizontally vented gas fueled equipment installed in every dwelling, building or structure used in whole or in part for residential purposes, including those owned or operated by the Commonwealth and where the side wall exhaust vent termination is less than seven (7) feet above finished grade in the area of the venting, including but not limited to decks and porches, the following requirements shall be satisfied:

1. **INSTALLATION OF CARBON MONOXIDE DETECTORS.** At the time of installation of the side wall horizontal vented gas fueled equipment, the installing plumber or gasfitter shall observe that a hard wired carbon monoxide detector with an alarm and battery back-up is installed on the floor level where the gas equipment is to be installed. In addition, the installing plumber or gasfitter shall observe that a battery operated or hard wired carbon monoxide detector with an alarm is installed on each additional level of the dwelling, building or structure served by the side wall horizontal vented gas fueled equipment. It shall be the responsibility of the property owner to secure the services of qualified licensed professionals for the installation of hard wired carbon monoxide detectors

a. In the event that the side wall horizontally vented gas fueled equipment is installed in a crawl space or an attic, the hard wired carbon monoxide detector with alarm and battery back-up may be installed on the next adjacent floor level.

b. In the event that the requirements of this subdivision can not be met at the time of completion of installation, the owner shall have a period of thirty (30) days to comply with the above requirements; provided, however, that during said thirty (30) day period, a battery operated carbon monoxide detector with an alarm shall be installed.

2. **APPROVED CARBON MONOXIDE DETECTORS.** Each carbon monoxide detector as required in accordance with the above provisions shall comply with NFPA 720 and be ANSI/UL 2034 listed and IAS certified.

3. **SIGNAGE.** A metal or plastic identification plate shall be permanently mounted to the exterior of the building at a minimum height of eight (8) feet above grade directly in line with the exhaust vent terminal for the horizontally vented gas fueled heating appliance or equipment. The sign shall read, in print size no less than one-half (1/2) inch in size, "**GAS VENT DIRECTLY BELOW. KEEP CLEAR OF ALL OBSTRUCTIONS**".

4. **INSPECTION.** The state or local gas inspector of the side wall horizontally vented gas fueled equipment shall not approve the installation unless, upon inspection, the inspector observes carbon monoxide detectors and signage installed in accordance with the provisions of 248 CMR 5.08(2)(a)1 through 4.

(b) **EXEMPTIONS:** The following equipment is exempt from 248 CMR 5.08(2)(a)1 through 4:

1. The equipment listed in Chapter 10 entitled "Equipment Not Required To Be Vented" in the most current edition of NFPA 54 as adopted by the Board; and

2. Product Approved side wall horizontally vented gas fueled equipment installed in a room or structure separate from the dwelling, building or structure used in whole or in part for residential purposes.

(c) **MANUFACTURER REQUIREMENTS - GAS EQUIPMENT VENTING SYSTEM PROVIDED.** When the manufacturer of Product Approved side wall horizontally vented gas equipment provides a venting system design or venting system components with the equipment, the instructions provided by the manufacturer for installation of the equipment and the venting system shall include:

1. Detailed instructions for the installation of the venting system design or the venting system components; and

2. A complete parts list for the venting system design or venting system.

(d) **MANUFACTURER REQUIREMENTS - GAS EQUIPMENT VENTING SYSTEM NOT PROVIDED.** When the manufacturer of a Product Approved side wall horizontally vented gas fueled equipment does not provide the parts for venting the flue gases, but identifies "special venting systems", the following requirements shall be satisfied by the manufacturer:

1. The referenced "special venting system" instructions shall be included with the appliance or equipment installation instructions; and

2. The "special venting systems" shall be Product Approved by the Board, and the instructions for that system shall include a parts list and detailed installation instructions.

(e) A copy of all installation instructions for all Product Approved side wall horizontally vented gas fueled equipment, all venting instructions, all parts lists for venting instructions, and/or all venting design instructions shall remain with the appliance or equipment at the completion of the installation.

IMPORTANT MESSAGE SAVE THESE INSTRUCTIONS

The Regency Gas Insert must be installed in accordance with these instructions. Carefully read all the instructions in this manual first. Consult the building authority having jurisdiction to determine the need for a permit prior to starting the installation.

NOTE: Failure to follow the instructions could cause a malfunction of the heater which could result in death, serious bodily injury, and/or property damage. Failure to follow these instructions may also void your fire insurance and/or warranty.

FOR YOUR SAFETY

This appliance requires air for proper combustion. Always provide adequate combustion and ventilation air. Follow instructions and information in CAN/CGAB149 (in Canada) or the National Fuel Gas Code ANSI Z223.1 (in the USA), regarding requirements for combustion and ventilation air.

INSTALLATION AND REPAIR SHOULD BE DONE BY AN AUTHORIZED SERVICE PERSON. THE APPLIANCE SHOULD BE INSPECTED BEFORE USE AND AT LEAST ANNUALLY BY A PROFESSIONAL SERVICE PERSON. MORE FREQUENT CLEANING MAY BE REQUIRED DUE TO EXCESSIVE LINT FROM CARPETING, BEDDING MATERIAL, ETC. IT IS IMPERATIVE THAT CONTROL COMPARTMENTS, BURNERS AND CIRCULATING AIR PASSAGEWAYS OF THE APPLIANCE BE KEPT CLEAN.

DUE TO HIGH TEMPERATURES, THE APPLIANCE SHOULD BE LOCATED OUT OF TRAFFIC AND AWAY FROM FURNITURE AND DRAPERIES.

WARNING: FAILURE TO INSTALL THIS APPLIANCE CORRECTLY WILL VOID YOUR WARRANTY AND MAY CAUSE A SERIOUS HOUSE FIRE.



CHILDREN AND ADULTS SHOULD BE ALERTED TO THE HAZARDS OF HIGH SURFACE TEMPERATURES, ESPECIALLY THE FIREPLACE GLASS, AND SHOULD STAY AWAY TO AVOID BURNS OR CLOTHING IGNITION.

YOUNG CHILDREN SHOULD BE CAREFULLY SUPERVISED WHEN THEY ARE IN THE SAME AREA AS THE APPLIANCE. TODDLERS, YOUNG CHILDREN AND OTHERS MAY BE SUSCEPTIBLE TO ACCIDENTAL CONTACT BURNS. A PHYSICAL BARRIER IS RECOMMENDED IF THERE ARE AT RISK INDIVIDUALS IN THE HOUSE. TO RESTRICT ACCESS TO A FIREPLACE OR STOVE, INSTALL AN ADJUSTABLE SAFETY GATE TO KEEP TODDLERS, YOUNG CHILDREN AND OTHER AT RISK INDIVIDUALS OUT OF THE ROOM AND AWAY FROM HOT SURFACES.

CLOTHING OR OTHER FLAMMABLE MATERIAL SHOULD NOT BE PLACED ON OR NEAR THE APPLIANCE.

A BARRIER DESIGNED TO REDUCE THE RISK OF BURNS FROM THE HOT VIEWING GLASS IS PROVIDED WITH THIS APPLIANCE AND SHALL BE INSTALLED FOR THE PROTECTION OF CHILDREN AND OTHER AT-RISK INDIVIDUALS

IF THE BARRIER BECOMES DAMAGED, THE BARRIER SHALL BE REPLACED WITH THE MANUFACTURER'S BARRIER FOR THIS APPLIANCE.

ANY SAFETY SCREEN, GUARD, OR BARRIER REMOVED FOR SERVICING AN APPLIANCE MUST BE REPLACED PRIOR TO OPERATING THE APPLIANCE.

BEFORE YOU START

Safe installation and operation of this appliance requires common sense, however, we are required by the Canadian Safety Standards and ANSI Standards to make you aware of the following:

General Safety Information

- 1) The appliance installation must conform with local codes or in the absence of local codes, with CAN/CGAB149 (in Canada) or the National

Fuel Gas Code ANSI Z223.1 in the U.S.A. This appliance should be installed by a qualified gas fitter technician only.

- 2) Installation and repair should be done by a qualified service person.
- 3) The appliance should be inspected before use and at least annually by a professional service person. More frequent cleaning may be required due to excessive lint from carpeting, bedding material, animal hair, etc. It is imperative that control compartments, burners and circulating air passageways of the appliance be kept clean.
- 4) See general construction and assembly instructions. This appliance may only be installed in a vented, noncombustible fireplace.
- 5) This appliance is Listed for bedroom installations when used with a Listed Millivolt Thermostat. Some areas may have further requirements, check local codes before installation.
- 6) Always connect this insert to a vent system venting to the outside of the building envelope. Never vent to another room or inside a building. Make sure that the vent is properly sized and is of adequate height to provide the proper draft.
- 7) Inspect the venting system annually for blockage and any signs of deterioration.
- 8) Any glass removed for servicing must be replaced prior to operating the appliance.
- 9) To prevent injury, do not allow anyone who is unfamiliar with the operation to use the fireplace.
- 10) Due to high temperatures, the appliance should be located out of high traffic areas and away from furniture and draperies. Children and adults should be alerted to the hazards of high surface temperatures, especially the fireplace glass and gold trims, and should stay away to avoid burns or clothing ignition. Young children should be carefully supervised when they are in the same room as the appliance. Clothing or other flammable material should not be placed on or near the appliance.

Emissions from burning wood or gas could contain chemicals known to the State of California to cause cancer, birth defects or other reproductive harm.

For the State of Massachusetts, installation and repair must be done by a plumber or gasfitter licensed in the Commonwealth of Massachusetts.

For the State of Massachusetts, flexible connectors shall not exceed 36 inches in length. For the State of Massachusetts, the appliances individual manual shut-off must be a t-handle type valve.

The State of Massachusetts requires the installation of a carbon monoxide alarm in accordance with NFPA 720 and a CO alarm with battery back up in the same room where the gas appliance is installed.

GAS PRESSURE TESTING

The appliance must be isolated from the gas supply piping system by closing its individual manual shut off valve during any pressure testing of the gas supply piping system at test pressures equal to or less than 1/2 psig. (3.45 kPa).

SPECIFICATIONS

At pressures over 1/2 psig, the pipe to the unit must be disconnected.

Gas Input Capacity:

Natural Gas	38,000 Btu/h
Propane	35,500 Btu/h

Min. Input:

Natural Gas	20,000 Btu/h
Propane	19,000 Btu/h

Fuels: Approved for use with both natural gas, and propane. Approved as is for use at 0' to 4,500' (0-1370m).

Electrical: 120V A.C. system.

Circulation Fan: Variable speed, 127 CFM.

Log Set: Ceramic fibre, 8 per set.

Vent System: 3" co-linear aluminum flex.

INSTALLATION INTO A SOLID FUEL BURNING FIREPLACE OR FACTORY BUILT FIREPLACE

The E33 Gas Inserts have been tested and approved to be vented into any masonry fireplace or approved solid fuel burning factory built fireplace that will allow the insert to physically fit into the firebox. Refer to the "Minimum Fireplace Dimensions" section.

If the factory built fireplace* height is too low for your Insert, you may remove the smoke baffle plate and damper from the factory built fireplace as long as these items are saved and are reinstalled in the event that the Insert is removed. NOTE: Any alterations made to the listed solid fuel burning factory built fireplace may void the listing of the fireplace. Cutting any sheet-metal parts of the fireplace, in which the gas fireplace insert is to be installed, is prohibited.

If the factory-built fireplace has no gas access hole(s) provided, an access hole of 1.5" (37.5mm) or less may be drilled through the lower sides or bottom of the firebox in a proper workmanship like manner. This access hole must be plugged with non-combustible

insulation after the gas supply line has been installed.

The fireplace and fireplace chimney must be clean and in good working order and constructed of non-combustible materials and chimney cleanouts must fit properly. Refractory, glass doors, screen rails, screen mesh, and log grates can be removed from the fireplace before installing the gas fireplace insert. Smoke shelves, shields and baffles may be removed if attached by mechanical fasteners. A tight connection between the gas fireplace insert flue collar and the fireplace chimney must be made.

*Check with your local inspector before commencing with this installation.

INSTALLATION CHECKLIST

Before installing vent system ensure that the damper plate is open and secure to prevent the damper plate from falling down and crushing the liner.

The Regency Gas Insert is installed as listed below.

- 1) Check all clearances to combustibles. Refer to the following sections where applicable:
 - a. Minimum Clearances to Combustibles.
 - b. Regency Flush Combustible Mantel Clearances
 - c. Mantel Clearances
- 2) Make the gas connection. Refer to the "Gas Connection" section.
- 3) Install the 3" flue liner to the sliding connector plate. Refer to the "Flue Liner Installation" section.
- 4) Slide the unit half way into the fireplace.
- 5) Pull the vent connector plate through the tapered brackets and fasten to the front plate. Refer to the "Flue Liner Installation" section.
- 6) Slide the unit fully into the fireplace.
- 7) Install 4AA batteries into receiver. Hook receiver to wire marked receiver, this will enable operation of the appliance manually when position in "ON" position.
- 8) Test gas pressure, refer to the "Gas Pipe Pressure Testing" section. Check aeration system, refer to "Gas Insert Aeration Systems" section.

Installer must mechanically attach the supplied label to the inside of the firebox of the fireplace into which the gas fireplace insert is installed.

"WARNING: This fireplace has been converted for use with a gas fireplace insert only and cannot be used for burning wood or solid fuels unless all original parts have been replaced, and the fireplace re-approved by the authority having jurisdiction."

- 9) Install standard and optional features. Refer to the following sections where applicable:
 - a. Brick Panels
 - b. Log Installation
 - c. Faceplate
 - d. Standard Flush Door
 - e. Remote Control

10) Final check. Refer to the "Final Check" section. Before leaving this unit with the customer, the installer must ensure that the appliance is firing correctly. This includes:

- a) Clocking the appliance to ensure the correct firing rate.
- b) Adjusting the primary air, if required, to ensure that the flame does not carbon. Refer to the "Gas Insert Aeration System" section.
- c) Ensuring that the appliance is venting correctly.

MATERIALS REQUIRED

No electrical power supply is required for the gas control to operate. A 120 Volt AC power cord is hooked up to the fan. Plug the 3 wire cord into a suitable receptacle. **Do not cut the ground terminal off under any circumstances.** When connected with 120 volts, the appliance must be electrically grounded in accordance with local codes, current version of the Canadian Electrical Code CSA C22.1 (in Canada) or in the absence of local codes, with the National Electrical Code ANSI/NFPA 70.

NOTE: This unit is equipped with a heat sensor thermodisc which will prevent the blower from operating until the unit reaches the correct temperature.

GAS INSERT AERATION SYSTEM

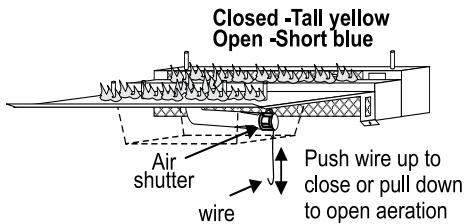
The air shutter can be adjusted by moving the adjusting wire up or down. The wire is accessed through the bottom louver opening. Open the air shutter for a blue flame or close for a yellow flame. The burner aeration is factory set but may need adjusting due to either the local gas supply or altitude.

Minimum Air Shutter Opening:
 5/16" Natural Gas
 7/16" Propane

CAUTION: Carbon will be produced if air shutter is closed too much.

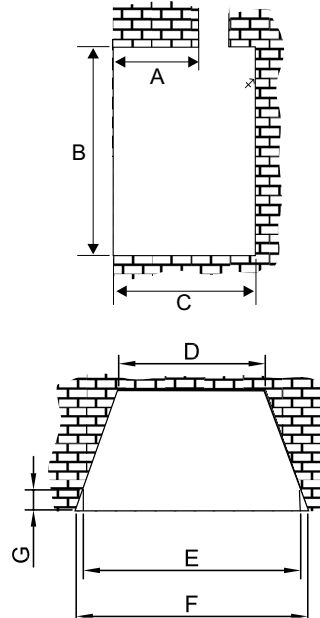
Note: Any damage due to carboning resulting from improperly setting the aeration controls is NOT covered under warranty.

Note: Aeration Adjustment should only be performed by an authorized Regency Installer at the time of installation.



MINIMUM FIREPLACE OPENING

The minimum fireplace opening for the Regency gas fireplace insert is shown in the following diagram and the table:



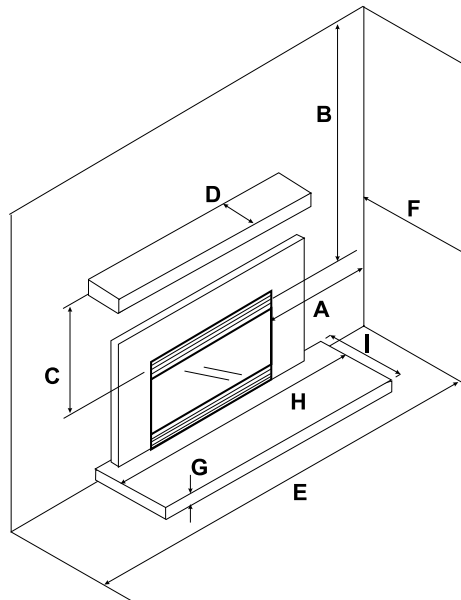
	Max Lentil Bar Depth A	Height B	Depth C	Width (Rear) D	Width (Front) E	Width F	Front Depth Prior to Taper G
Low Profile Faceplate with Spacer	8"	24 3/16"	16 3/4"	25"	N/A	32 1/4"	N/A
Low Profile Faceplate without Spacer	9 1/4"	25 1/2"	18"	25"	N/A	35 1/4"	N/A
Vignette faceplate with Spacer	9 1/2"	24"	16 3/4"	25"	N/A	32 1/2"	N/A
Vignette Faceplate Without Spacer	12"	25 1/2"	19 1/8"	25"	34 5/8"	35 3/4"	2

MINIMUM CLEARANCES TO COMBUSTIBLES

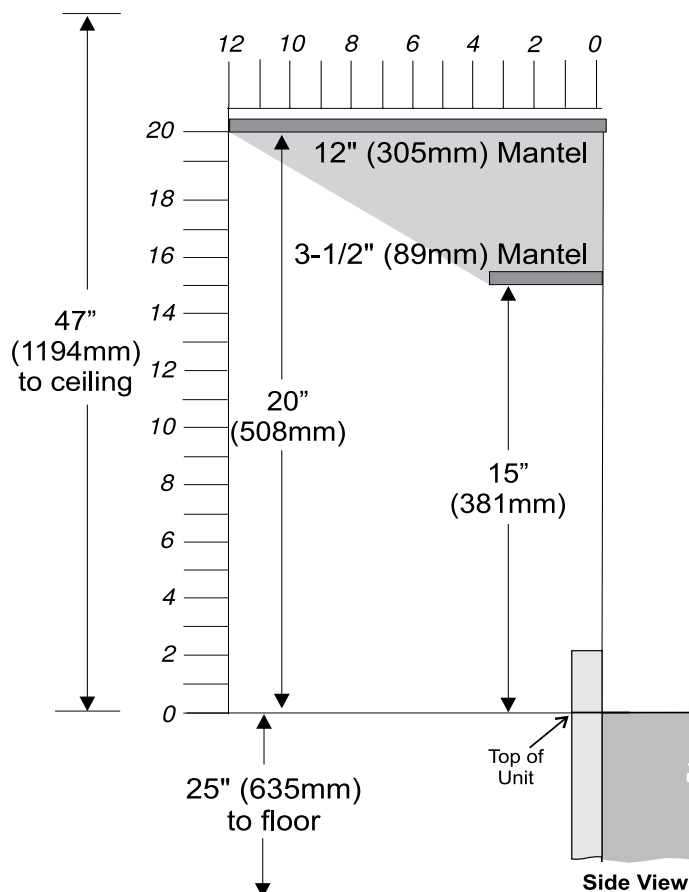
Side Walls	From Unit	* A 8" (203 mm)
Ceiling	B 47" (1194 mm)	
Min. Mantel Height	C 15" (381 mm)	
Max. Mantel Depth	D 12" (305 mm)	
Alcove Width	E 76" (1930 mm)	
Alcove Depth	F 36" (914 mm)	
Hearth Height	G 1-1/4" (32 mm)	
Hearth Width	H 45-1/2" (1156 mm)	
Hearth Depth	I 13" (330 mm)	

* Alcove side wall must have a min. of 8" clearance on one side.

* Measured from edge of glass frame.



COMBUSTIBLE MANTEL CLEARANCES



Because of the extreme heat this fireplace emits, the mantel clearances are critical.

Note: A non-combustible mantel may be installed at a lower height if the framing is made of metal studs covered with a non-combustible board.

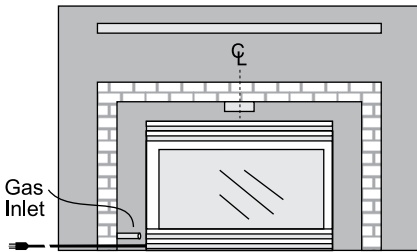
Mantel can be installed anywhere in shaded area or higher using the above scale.

Note: Ensure the paint that is used on the mantel and the facing is "heat resistant" or the paint may discolour.

GAS CONNECTION

GAS CONNECTION
WARNING:
 Only persons licensed to work with gas piping may make the necessary gas connections to this appliance.

- 1) If the appliance is to be installed into an existing chimney system, thoroughly clean the masonry or factory built fireplace.
- 2) The appliance is provided with an opening on the left hand side of the control compartment. A 3/8" NPT gas supply pipe must be brought near this inlet hole.



- 3) Locate the center point where the vent will pass through the chimney above the appliance. Move the appliance into the exact location where it is to be installed. Ensure that the Insert is level.

THE APPLIANCE MUST NOT BE CONNECTED TO A CHIMNEY FLUE SERVING A SEPARATE SOLID FUEL BURNING APPLIANCE.

VENTING

This appliance is designed to be attached to two 3" (76mm) co-linear aluminium flex running the full length of the chimney. The flue length must be a minimum length of 8' (2.44m) and a maximum of 35' (10.7m). See chart above for minimum distances from roof. Periodically check that the vent is unrestricted.

Masonry chimneys may take various contours which the flexible liner will accommodate. However, **keep the flexible liner as straight as possible**, avoid unnecessary bending.

Part #	Description
948-305	3" Flex - 35 ft.
946-529	Regency Co-linear DV Vertical Termination Cap

Alternate Approved Caps

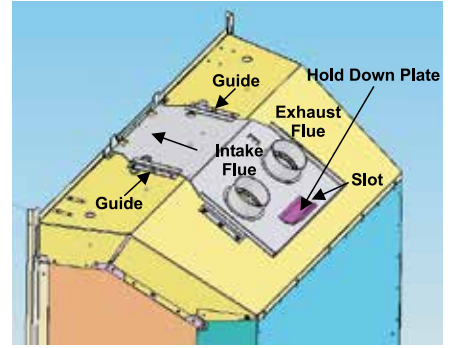
46dva-VC	Vertical Termination Cap
46dva-VCH	High Wind Cap
46dva-GK	3" Co-linear Adaptor with flashing

In areas of consistently high winds, we recommend using the Simpson Dura-Vent System (46dva-GK adaptor and 46dva-VCH high-wind cap).

The Air Intake pipe must be attached to the inlet air collar of the termination cap.

FLUE LINER INSTALLATION

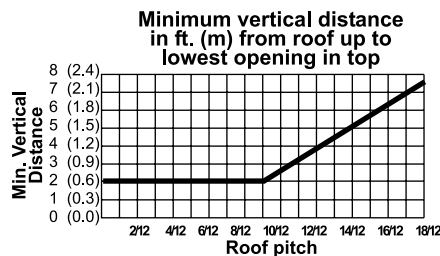
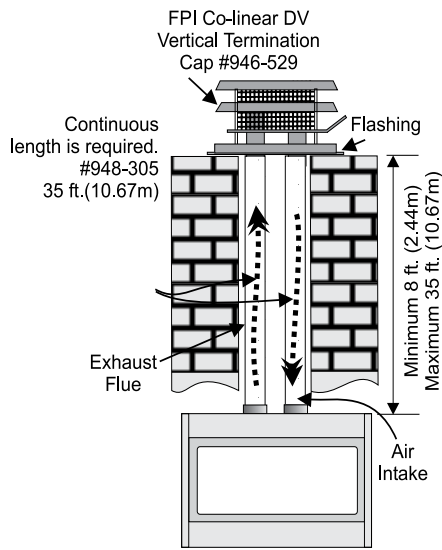
- 1) Cut the flex liner as required.
- 2) **Mark the end of one liner with an "E" to indicate Exhaust.**
- 3) Connect the other end of the above liner to the exhaust side of the termination adaptor, seal connection with high temperature silicone. Secure with 3 screws.
- 4) Connect the 2nd liner to the inlet side of the adaptor, seal connection with high temperature silicone. Secure with 3 screws.



- 5) Install flashing.
- 6) Insert both liners into chimney, passing through the damper opening.
- 7) Install termination cap.
- 8) Remove vent connector plate by removing screw located on top/front of appliance.
- 9) Connect the **marked end** of the liner to the exhaust collar of the vent connector plate marked with an "E", seal connection with high temperature silicone. Secure with 3 screws.
- 10) Connect the 2nd liner to the intake collar, seal connection with high temperature silicone.
- 11) Align vent connector plate with guides on unit.
- 12) Slide unit into masonry opening, while ensuring that the slot at the rear of the connector plate mates up with the hold down plate on the unit.
- 13) Secure with Screw—removed from Step 8. Secure with 3 screws.

NOTE:

- 1) Final gas connection should be made after unit is in place to avoid damage to line when pushing the unit into position.
- 2) Mill-pac may be used instead of high temperature silicone and screws may be used instead of gear clamps at connections of liner to inlet and vent collars.



REMOTE RECEIVER INSTALLATION

1) Install the heat shield to the receiver with two screws.



2) Attach to the floor of the unit with a velcro pad. Locate the receiver at the far right hand side of unit as shown below.



3) See Remote Control installation instructions for information on coding the handheld transmitter to the receiver

GAS PIPE PRESSURE TESTING

The appliance must be isolated from the gas supply piping system by closing its individual manual shut-off valve during any pressure testing of the gas supply piping system at test pressures equal to or less than 1/2 psig. (3.45 kPa). Disconnect piping from valve at pressures over 1/2 psig.

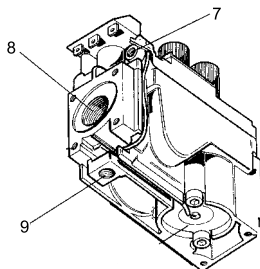
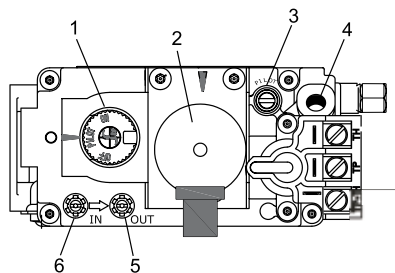
The manifold pressure is controlled by a regulator built into the gas control, and should be checked at the pressure test point.

NOTE: To properly check gas pressure, both inlet and manifold pressures should be checked using the valve pressure ports on the valve.

- 1) Make sure the valve is in the "OFF" position.
- 2) Loosen the "IN" and/or "OUT" pressure tap(s), turning counterclockwise with a 1/8" wide flat screwdriver.
- 3) Attach manometer to "IN" and/or "OUT" pressure tap(s) using a 5/16" ID hose.
- 4) Light the pilot and turn the valve to "ON" position.
- 5) The pressure check should be carried out with the unit burning and the setting should be within the limits specified on the safety label.
- 6) When finished reading manometer, turn off the gas valve, disconnect the hose and tighten the screw (clockwise) with a 1/8" flat screwdriver. **Note: Screw should be snug, but do not over tighten.**

SIT 829 VALVE DESCRIPTION

- 1) Gas on/off knob
- 2) Electronically Operated Hi/Lo
- 3) Pilot Adjustment
- 4) Thermocouple Connection - *option*
- 5) Outlet Pressure Tap
- 6) Inlet Pressure Tap
- 7) Pilot Outlet
- 8) Main Gas Outlet
- 9) Alternative TC Connection Point



DC SPARK IGNITER BATTERY INSTALLATION

Install the supplied battery into the DC Sparker Box by opening the battery compartment.

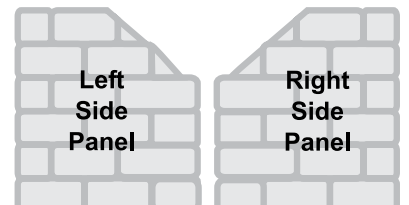
NOTE: The battery in the DC Sparker Box will need to be replaced annually.



OPTIONAL BRICK PANEL

Optional Brick Panel Set:

Part #	Description	Qty
	Top (brick) panel	1
	Back (brick) panel	1
	Left (brick) panel	1
	Right (brick)panel	1
340-043	Top bracket	1
340-094	Bottom clips	2
511-031	Brick clips	2



BRICK PANEL INSTALLATION

- 1) Remove safety screen and glass door if installed.
- 2) Remove the logs if they are already installed. Note: the grate must be removed in order to remove the bottom log. Ensure you slide the bottom coal off to the right-hand side to avoid chipping.
- 3) Unwrap the brick pattern panels from the protective wrapping. Handle the panels with care as they can break easily.
- 4) Remove the two screws from the bottom of the baffle plate. Install the bottom clips onto the baffle plate (refer to Diagram 1).

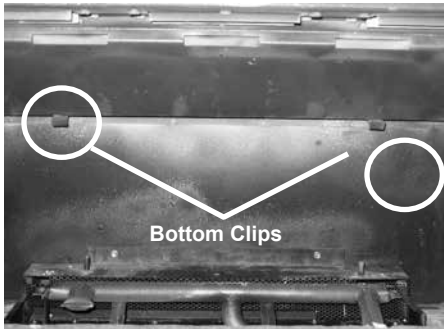


Diagram 1

- 5) Place the top bracket onto the top edge of the top panel (refer to Diagram 2).

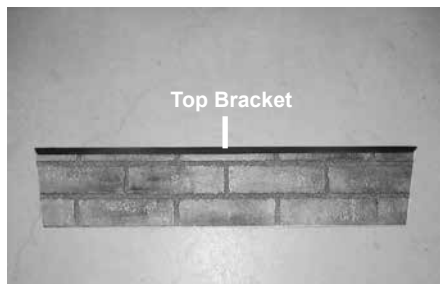


Diagram 2

- 6) Slide the top panel and bracket assembly carefully onto the baffle plate ensuring the panel is centered. Make sure the tabs of the top bracket fit into the baffle openings (refer to Diagram 3).

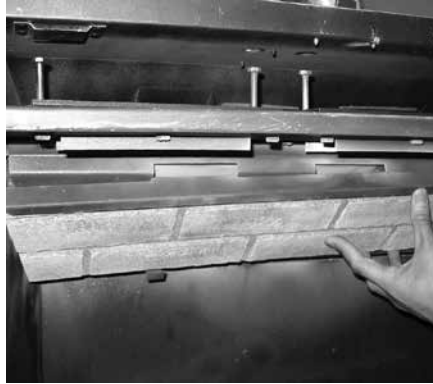


Diagram 3

- 7) Insert the back panel by sliding it between the sidewalls of the firebox and the rear log support.
- 8) Before installing the side brick panels, remove the screws from the side brick clips (refer to Diagram 4).

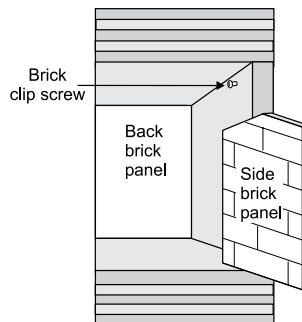
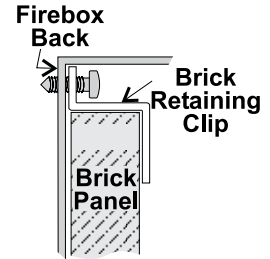


Diagram 4

- 9) Insert the side panel by positioning it flat against the side walls. Tilt the panel towards the middle of the firebox, then insert the bottom front corner. Repeat on the other side.
- 10) Install the 2 brick retaining clips, one on each side.



Completed Installation

IMPORTANT

YOUR BRICK PANELS ARE
MANUFACTURED FROM A SPECIAL HEAT
REFLECTIVE CERAMIC MATERIAL
HANDLE WITH CARE
(DO NOT FORCE INTO POSITION)

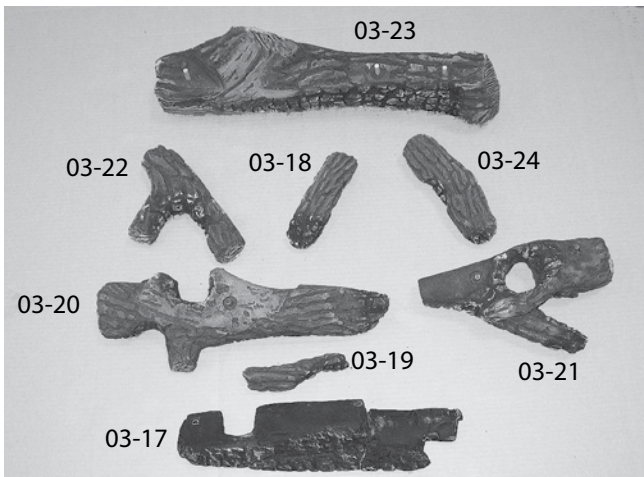
LOG SET INSTALLATION

WARNING:

Dangerous operating conditions may occur if these logs are not positioned in their correct certified locations. Read the following instructions carefully and refer to the attached diagrams.

Gas Log Kit #340-930 contains the following:

- 03-17 Bottom Log
- 03-18 Center Top Log
- 03-19 Front Log
- 03-20 Left Log
- 03-21 Right Log
- 03-22 Left top Log
- 03-23 Rear Log
- 03-24 Right Top Log
- 946-669 Platinum Embers (supplied in packaged manual)



The "03" reference numbers (i.e. 03-23) are molded into the rear of each log.

- 1) Remove and carefully unwrap the logs from the box. Please handle with care and do not force them into position to avoid chipping.
- 2) Remove the safety screen and glass door if already installed.

- 3) Remove the grate by removing the two Phillips screws. Slide the grate outwards to remove it from the unit (refer to Diagram 1).

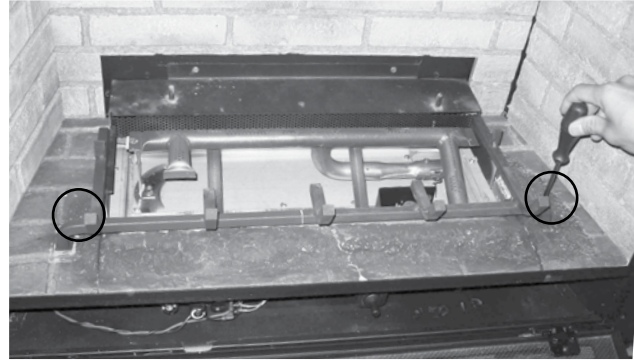


Diagram 1

- 4) Angle log 03-17 and slide it between the top and bottom burner tube under the "T" section until it touches the left grate support bracket (refer to Diagram 2).

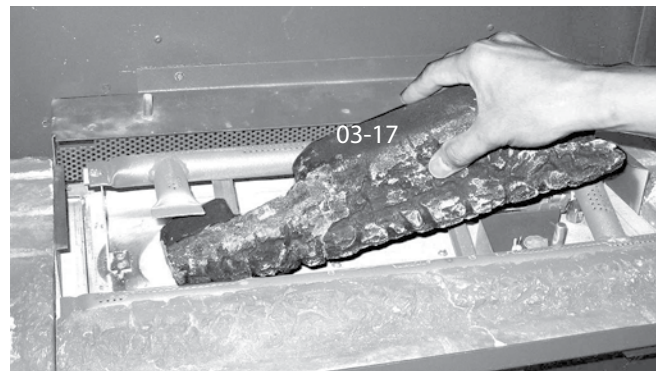


Diagram 2

- 5) Re-install the grate.
- 6) Line up the pin holes (located at the bottom of log 03-23) to the pins of the rear log support and position them into place. (refer to Diagram 3)

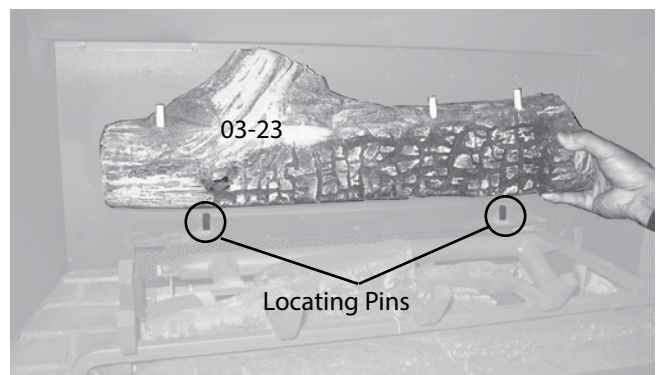


Diagram 3

- 7) Align the bottom grooves of log 03-21 onto the right side of the grate and gently slide the log back until it touches the locating tab (refer to Diagram 4 & 5).

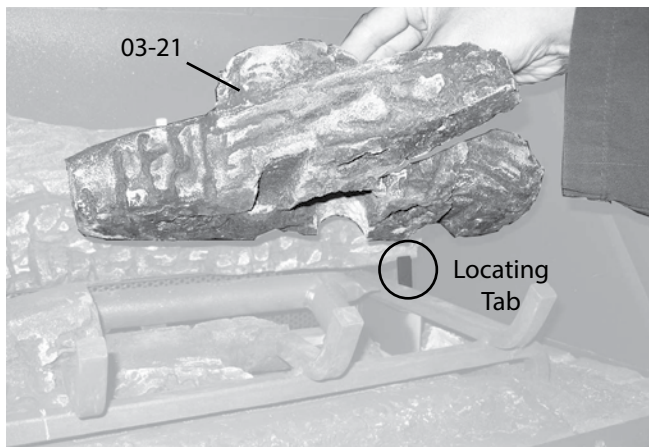


Diagram 4

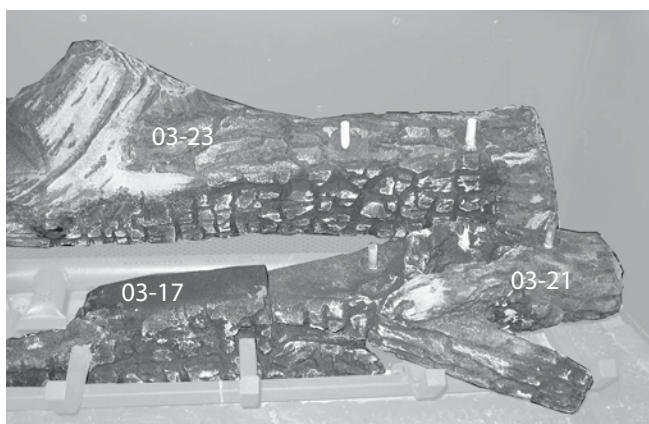


Diagram 5

- 8) Align and position the pin hole of log 03-20 down into the left locating pin of log 03-21. Slide into the groove and gently place into position until it touches the locating tab. (see Diagram 6 & 7)

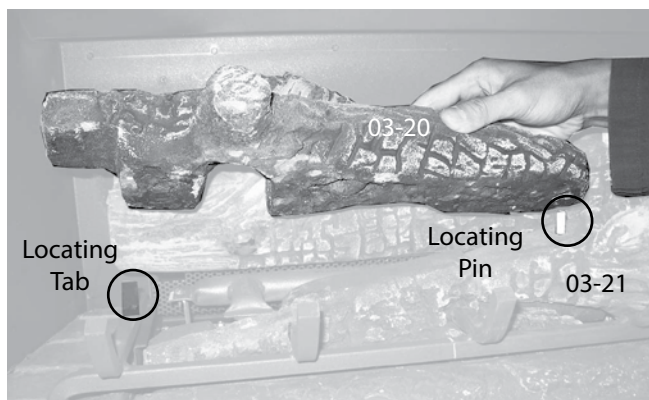


Diagram 6

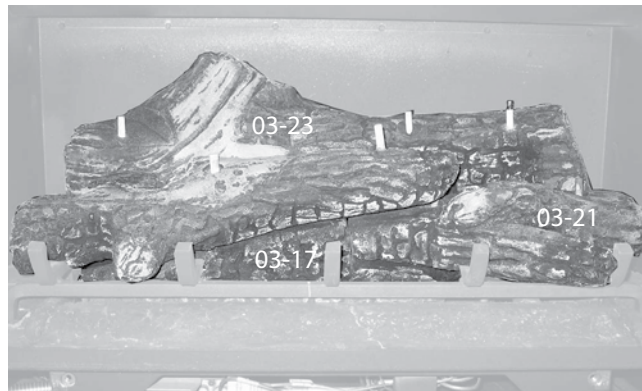


Diagram 7

- 9) Place log 03-22 over log 03-23 and log 03-20. Ensure the pin hole of log 03-22 lines up with the left pin of log 03-23 as well as the left pin of log 03-20 (refer to Diagram 8).

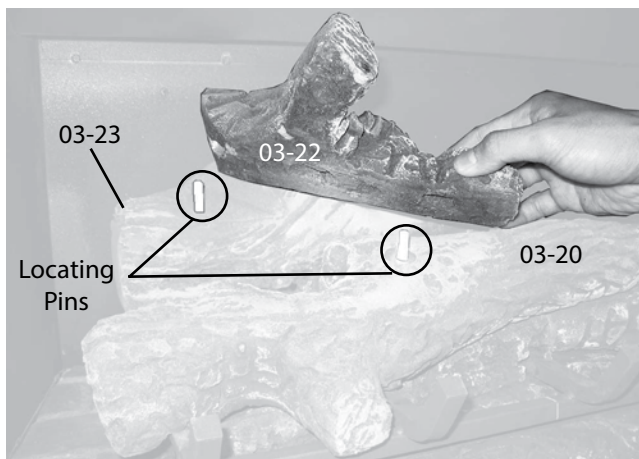


Diagram 8

- 10) Place log 03-18 over log 03-23 and log 03-20. Ensure the pin hole of log 03-18 lines up with the middle pin of log 03-23 and the right pin of log 03-20 (refer to Diagram 9 & 10).

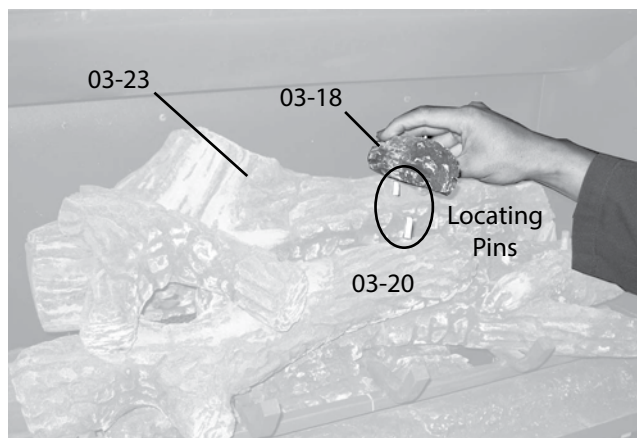


Diagram 9

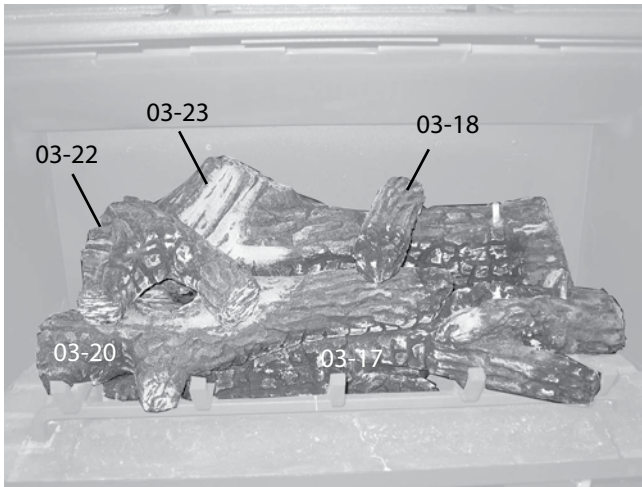
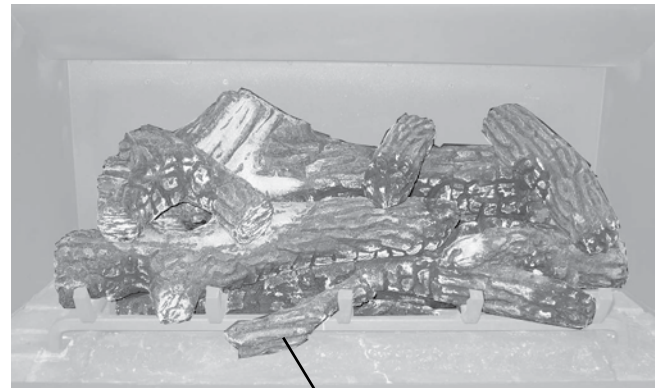


Diagram 10

- 12) Place log 03-19 over the left center of the grate. Ensure the log set looks like Diagram 12.



03-19

Diagram 12

- 11) Place log 03-24 over log 03-23 and log 03-21 ensuring the pin hole of log 03-24 lines up with the right pin of log 03-23 and the right pin of log 03-21 (refer to Diagram 11).

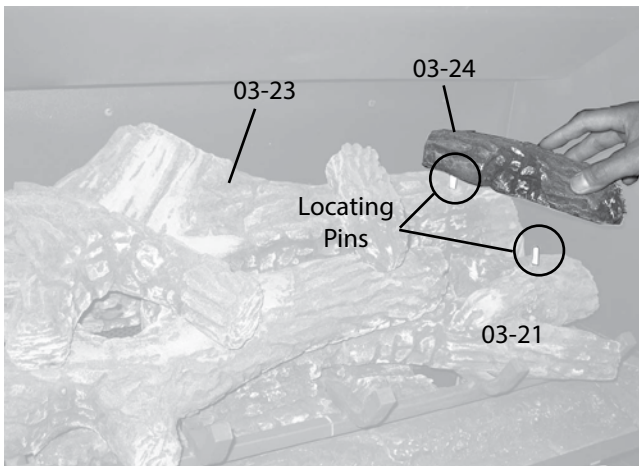


Diagram 11

- 13) Separate platinum embers and place at the front of the burner. Avoid stacking platinum embers.

CONVERSION KIT 342-969 FROM NG TO LP

for E33-10 using SIT 829 NOVA Gas Valve

**THIS CONVERSION MUST BE DONE BY A QUALIFIED GAS FITTER
IF IN DOUBT DO NOT DO THIS CONVERSION !!**

Each Kit contains one LP Conversion Kit Contains:

Qty.	Part #	Description
1	904-529	5/32" Allen Key
1	904-641	Burner Orifice #50
1	918-590	Label "Converted to LPG"
1	908-528	Red LPG Label
1	910-037	LP Injector (Pilot Orifice)
1	910-582	Stepper Motor
1	919-453	Instruction Sheet

Installation of LP Conversion Kit:

1. Shut off the gas supply.
2. Remove safety screen and glass door.
3. Remove the logs and grate (refer Log Installation section in E33 Manual). Ensure you slide the bottom log 03-17 off to the right-hand side to avoid chipping.
4. Remove front base brick.



5. Remove burner by unscrewing the 2 screws.
6. Pull off the pilot cap to expose the pilot orifice.

WARNING!

Also check that the pilot and main burner injectors are appropriate for the gas type.

7. Unscrew the pilot orifice with the 5/32" allen key and replace with the LPG pilot orifice provided in the kit, then reinstall the pilot cap.



8. Remove burner orifice with a 1/2" wrench, while using a 9/16" wrench to hold onto the elbow behind the orifice and discard orifice.



Burner Orifice Removal

9. Reinstall new burner orifice LP stamped #50 and tighten.
10. Remove NG stepper motor by removing 3 screws in locations shown below—replace with LP stepper motor, secure in place with 3 screws.



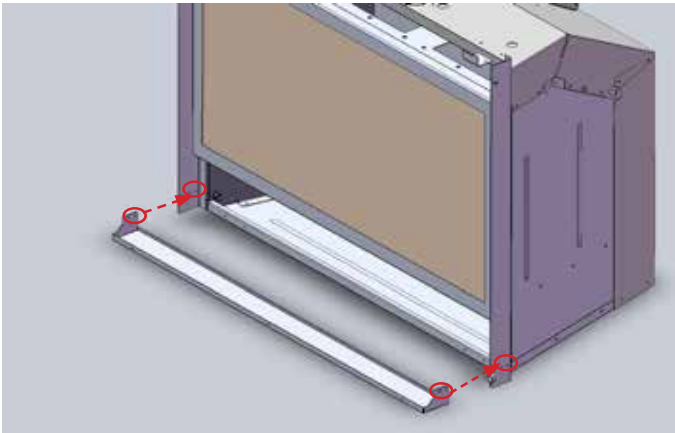
Remove NG Stepper motor and replace with LP Stepper motor

11. Check for gas leaks with a proper soapy solution or leak detector.
12. Check for proper spark between the ignitor and pilot cap. Refer to "Lighting Procedure" section of the manual for lighting sequence.
13. Check pilot flames. Correct flame pattern has 3 strong blue flames. Adjustment can be made by turning the slotted screw at the top right corner of the valve. Refer to "Maintenance Instructions" section of the manual for correct flame patterns.
14. Check inlet (11" WC min) and outlet (10" WC) pressures. Refer to "Gas Pipe Pressure Testing" section of the manual.
15. Reverse Steps 5 to 3.
16. Attach the label "This unit has been converted to LP" near or on top of the serial # decal.
17. Replace yellow "NG" label with red "LP" label.
18. Check operation of flame control.
19. Check for proper flame appearance and glow on logs.

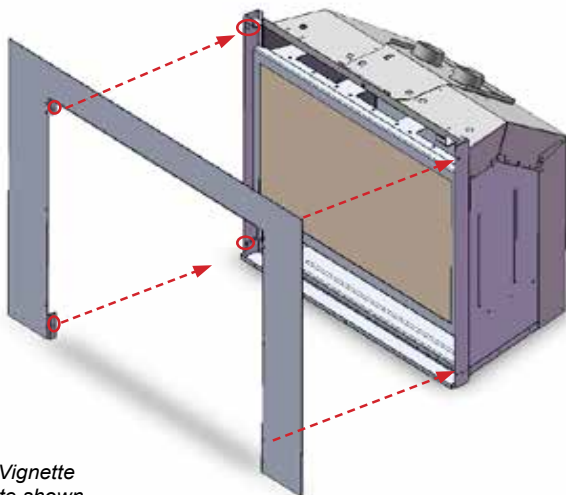
**Installer Notice:
These instructions must be left
with the appliance.**

OPTIONAL VIGNETTE FACEPLATE INSTALLATION

1. Install the lower trim to the unit with 2 screws on each side as shown in the drawing below.



2. Install 3 sided/4 sided vignette faceplate to the unit with 2 screws each on top and bottom as shown in the picture below..



3 sided Vignette Faceplate shown

3. Connect the male end black and red fan switch wires (in the silver box) to the wires connectors from the fan speed control box .



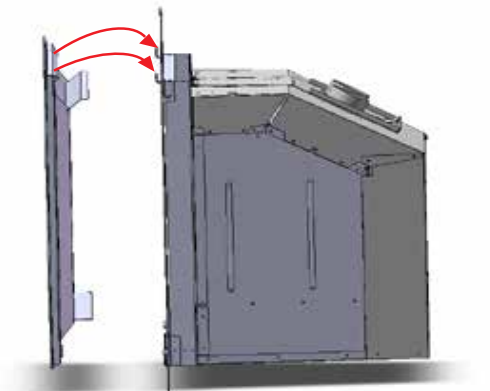
4. Tuck the wires into the silver box and secure them with a small grommet.
5. Bend the silver cover to close the box.



6. Install the fan speed control box to the left side of the unit (when facing the front of the unit) with 2 screws. Refer to the picture below. .



7. Install the safety screen to the unit.

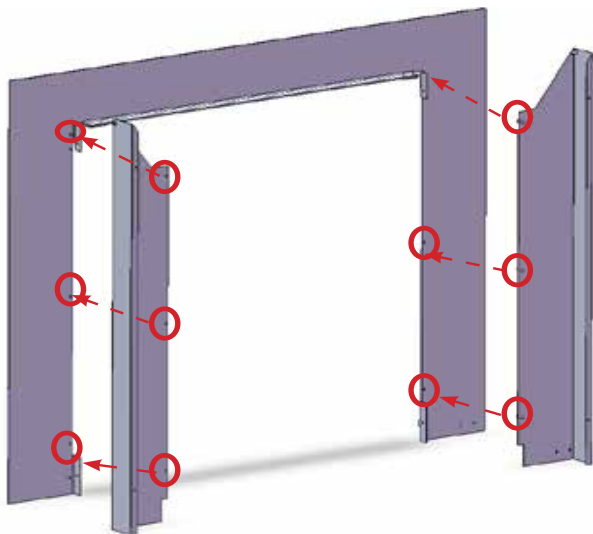


SPACER INSTALLATION FOR 3 SIDED VIGNETTE FACEPLATE

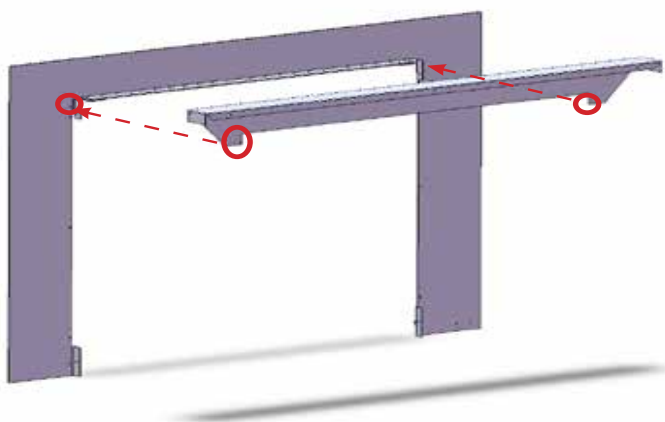
NOTE:

- A spacer can be ordered, if required.
- It is recommended to install spacer to the faceplate separately and then install both together to the unit.

1. Attach the side pieces of the spacer with 3 screws to both sides of the vignette face plate.



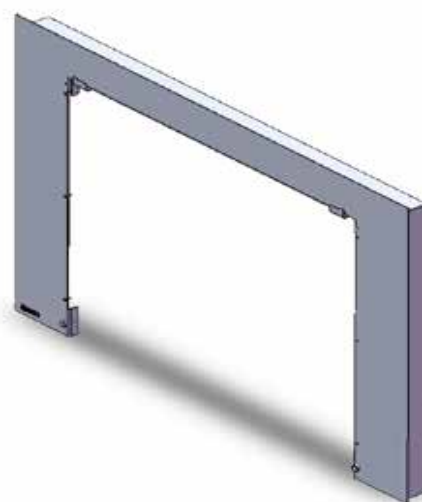
2. Attach the top piece of the spacer to the vignette faceplate- with 1 screw on each side.



3. Finally, attach the spacer to vignette faceplate (vignette faceplate is purchased separately) with 2 side screws on the top (1 per side).



Completed Vignette faceplate with spacer.



4) Proceed to faceplate installation- see "Optional Vignette Faceplate Installation".

OVERSIZE BACKING PLATE INSTALLATION

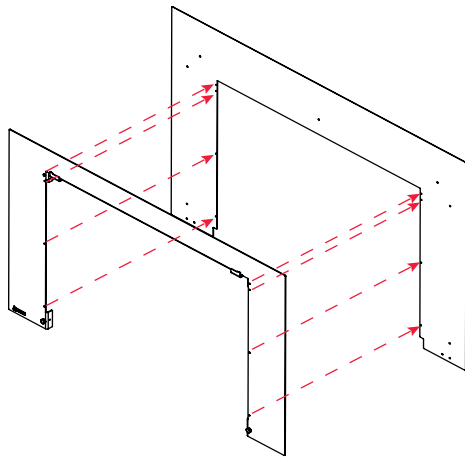
OVERSIZE BACKING PLATE INSTALLATION WITHOUT SPACER

Oversize backing plate can be ordered for the unit if required.

NOTE:

It is recommended to install oversize backing plate to the vignette faceplate separately and then install both together to the unit.

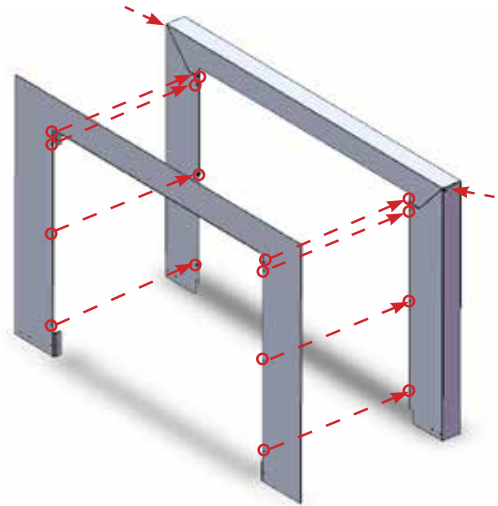
- 1) Slide the oversize backing plate behind the vignette faceplate and secure it with 8 screws (4 per side).



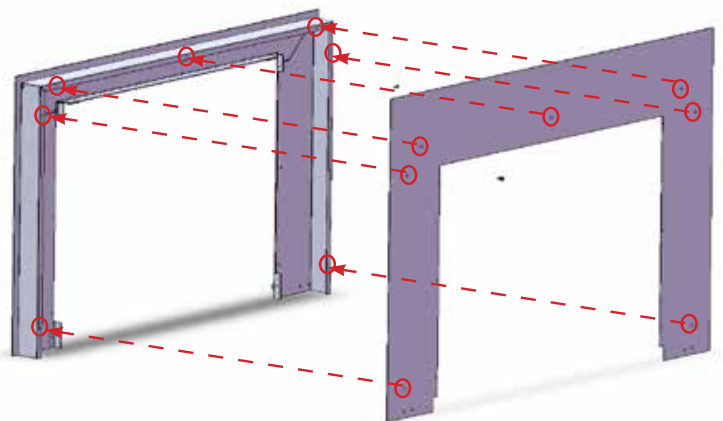
- 2) Proceed to faceplate installation- see "Optional Vignette Faceplate Installation".

OVERSIZE BACKING PLATE INSTALLATION WITH SPACER

- 1) Install the spacer to the back of the faceplate backing with 6 screws from the front, 2 on the top of the faceplate backing and 2 screws on the top sides.



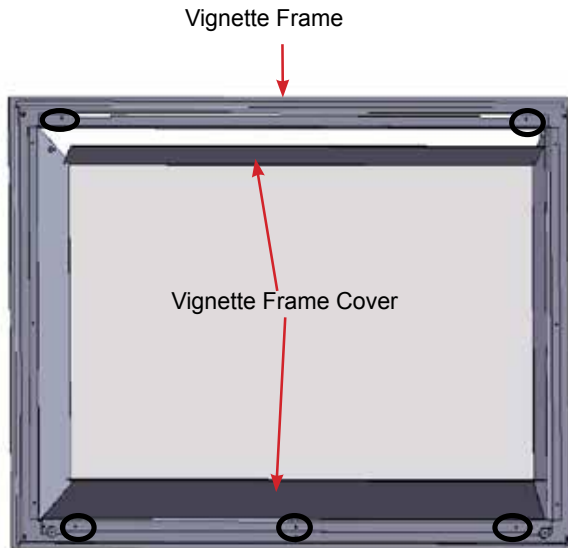
- 2) Install the oversize backing plate to the faceplate backing and spacer with 7 screws (2 on each side and 3 across the top) installed from the backside of the backing plate into the backside of the assembled faceplate backing with spacer as shown below.



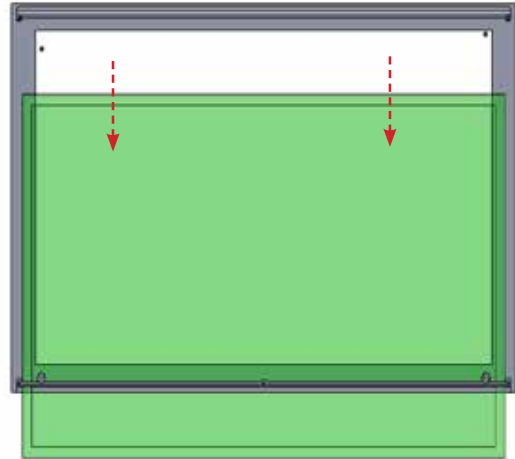
- 3) Proceed to faceplate installation- see "Optional Vignette Faceplate Installation".

OPTIONAL VIGNETTE INLAY INSTALLATION

1. Remove 5 screws from the backside of the Vignette frame cover and keep them aside (3 at bottom and 2 at top).



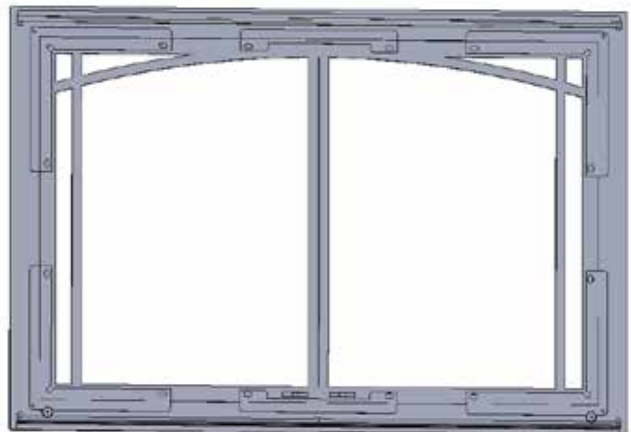
2. Take the mesh screen out of the Vignette front frame as shown below.



3. Place the Inlay on the Front Trim Assembly.

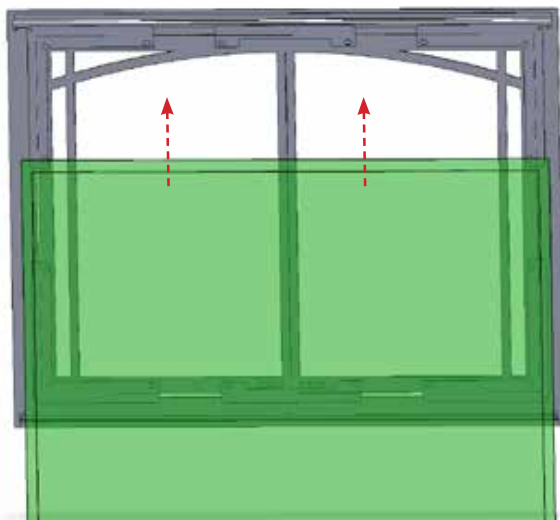


4. Center the inlay inside the Front Trim Assembly

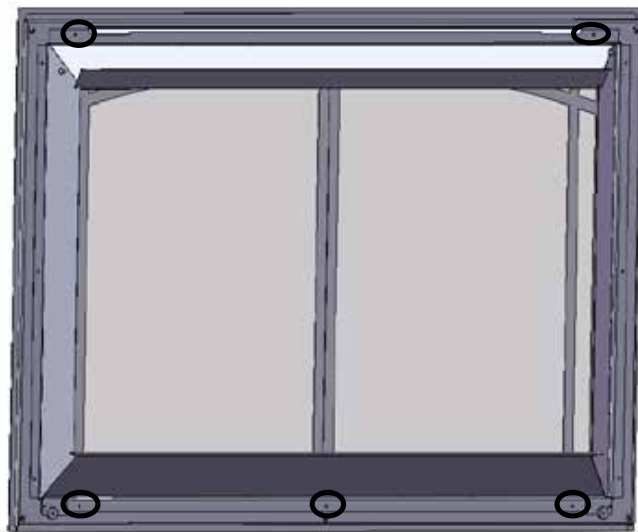


5. With the Inlay in position, place the mesh screen over the inlay.

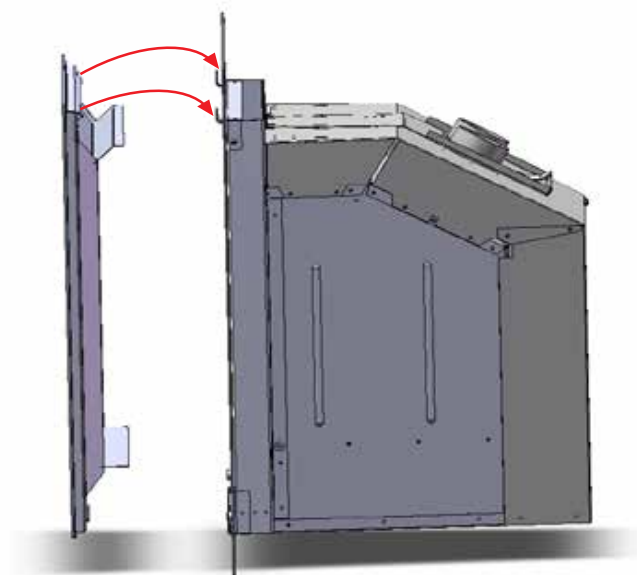
NOTE: The flush side of the mesh screen should face the inlay.



6. Reverse step1.



7. Install the Vignette frame with Inlay onto the 2 hooks provided on the unit.



OPTIONAL HEARTH TRIM INSTALLATION- VIGNETTE FACEPLATE WITH SPACER AND LOW PROFILE FACEPLATE

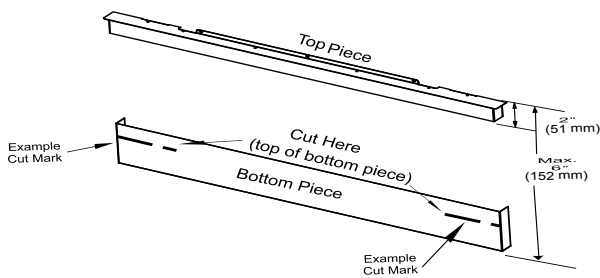
Customizing the Hearth Trim:

The Hearth Trim can be adjusted to custom fit an installation by pulling apart the top piece from the bottom piece. Minimum height of the hearth trim is 2" and can be adjusted upto maximum 6".

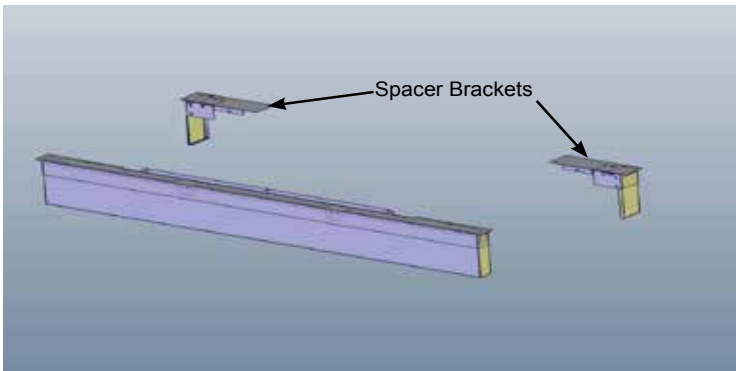
- 1) Cut the top of the bottom piece of the hearth trim to the appropriate height using a metal cutting blade.

NOTE: The tab bends at the back of the top piece of the hearth trim should be used as the measuring point to the hearth to measure the height required.

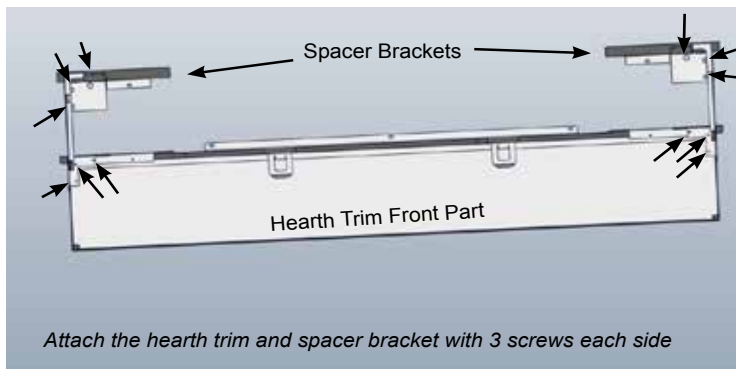
- 2) Reattach the top piece of the hearth trim to the cut bottom piece by fitting in place.



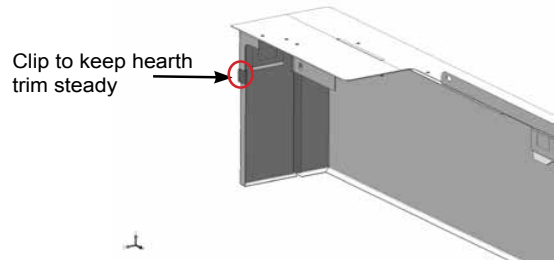
- 3) Similar to the front hearth trim, cut the top of the bottom piece of the spacer brackets to the appropriate height.



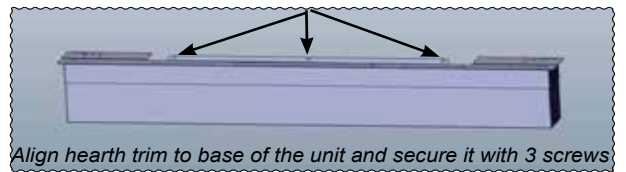
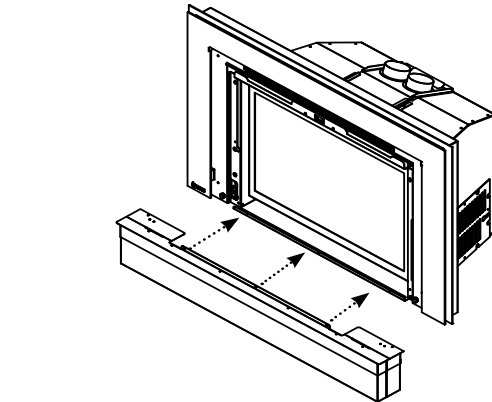
- 4) Attach the top and bottom part of the spacer brackets and then attach these spacer brackets to the assembled hearth trim with 3 screws.



- 5) Secure the hearth trim with a clip on its side to keep it steady as shown in the picture below.



- 6) Line up the hearth trim with base of the unit and secure it with 3 screws as shown below.



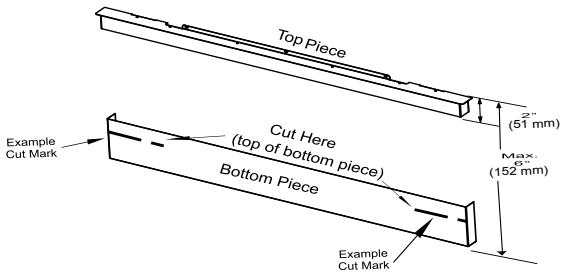
OPTIONAL HEARTH TRIM INSTALLATION- VIGNETTE FACEPLATE WITHOUT SPACER

Customizing the Hearth Trim

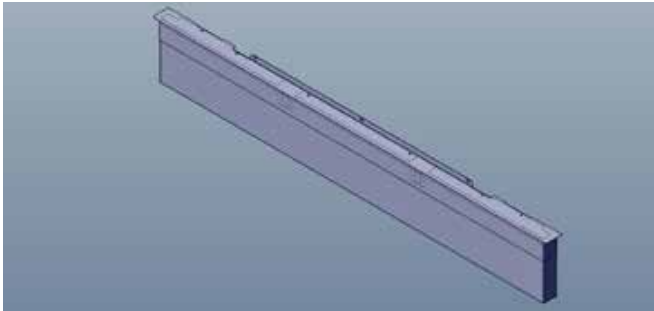
The Hearth Trim can be adjusted to custom fit an installation by pulling apart the top piece from the bottom piece. Minimum height of the hearth trim is 2" and can be adjusted upto maximum 6".

- 1) Discard the spacer brackets, as these are not required when installing the unit without spacer.
2. Cut the top of the bottom piece of the hearth trim to the appropriate height using a metal cutting blade.

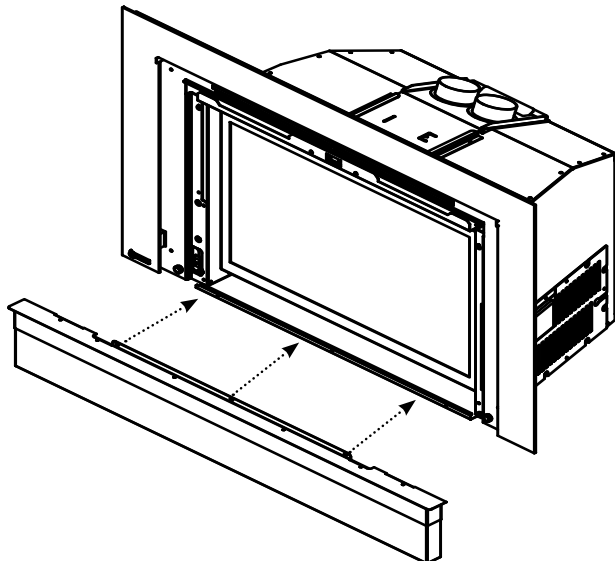
NOTE: The tab bends at the back of the top piece of the hearth trim should be used as the measuring point to the hearth to measure the height required.



- 3) Reattach the top piece of the hearth trim to the cut bottom piece by fitting in place.

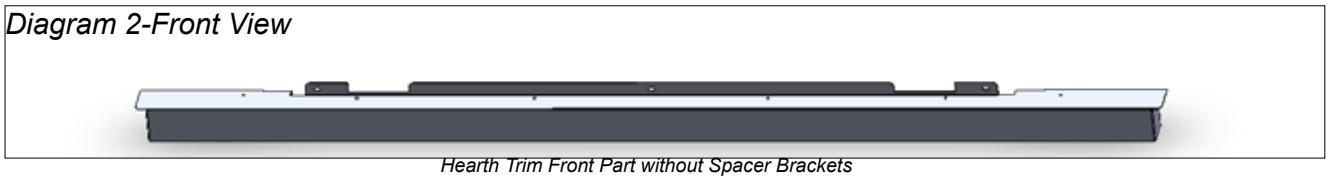
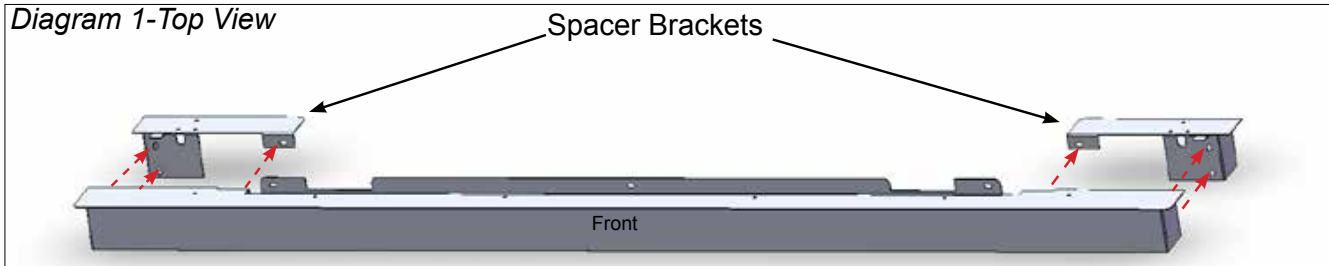


- 4) Line up the hearth trim with base of the unit and secure it with 3 screws as shown below.

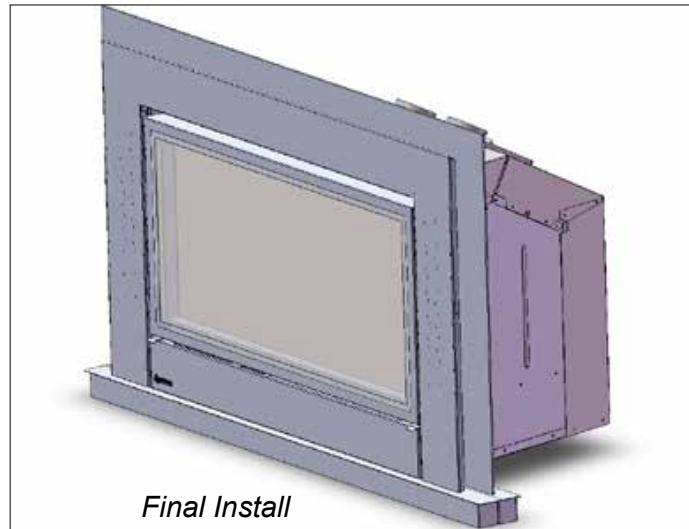
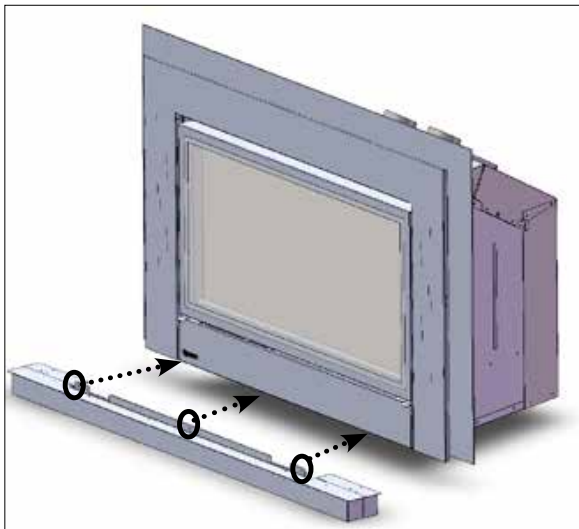


OPTIONAL HEARTH TRIM INSTALLATION- LOW PROFILE

1. If you do not have spacer, remove the spacer brackets from the heart trim by removing 3 screws per side. Refer to diagrams 1 and 2 below.



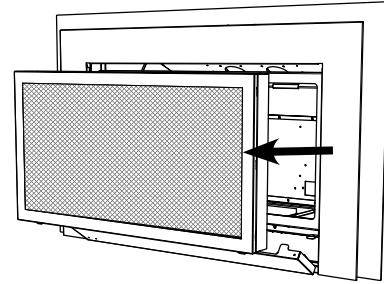
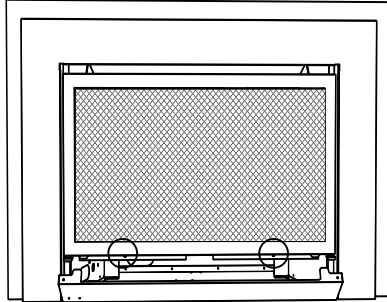
2. Attach hearth trim to the unit with 3 screws as shown in the picture below.



NOTE: Final Installation includes Rear brackets as shown in the picture above.

SAFETY SCREEN INSTALLATION- LOW PROFILE FACEPLATE

1. To remove safety screen, flip open bottom louver and remove 2 screws in locations shown below.
2. Pull off safety screen and frame from glass door.

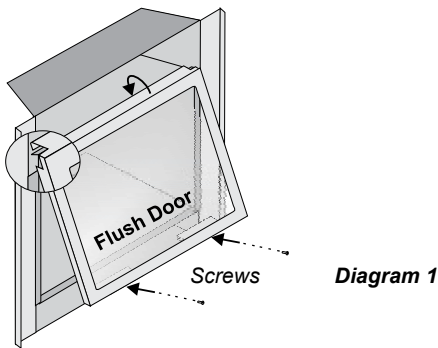
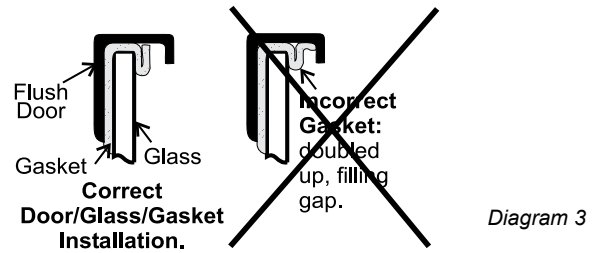


3. To install, reverse Steps 2-1.

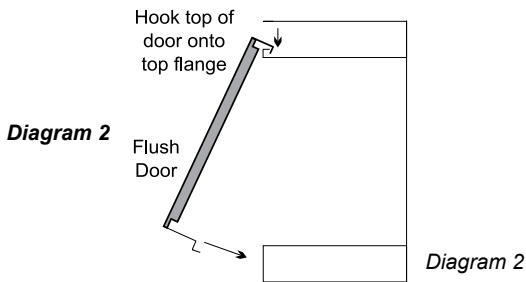
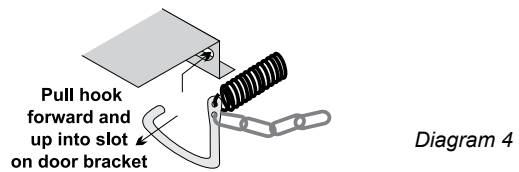
STANDARD FLUSH DOOR

NOTE: See Vignette or Low Profile Faceplate instructions for removal of screen prior to removing glass. .

The standard flush door comes with a black frame. To install the frame, simply hook the top door flange onto the top of the unit and swing the door towards the unit, (Diagram 1 and 2). Be careful that the glass gasket does not roll up; there must be a gap between the gasket and the door lip to ensure that the door sits securely on the unit. Refer to Diagram 3.

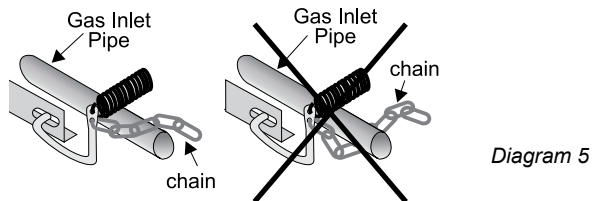


Use the hook to pull the spring out until you can put the hook into the slot on the bottom door bracket. Repeat for 2nd spring. See diagram 3.



To remove the flush door, reverse the above steps.

NOTE: The chain must rest on **TOP** of the gas inlet pipe never under it.

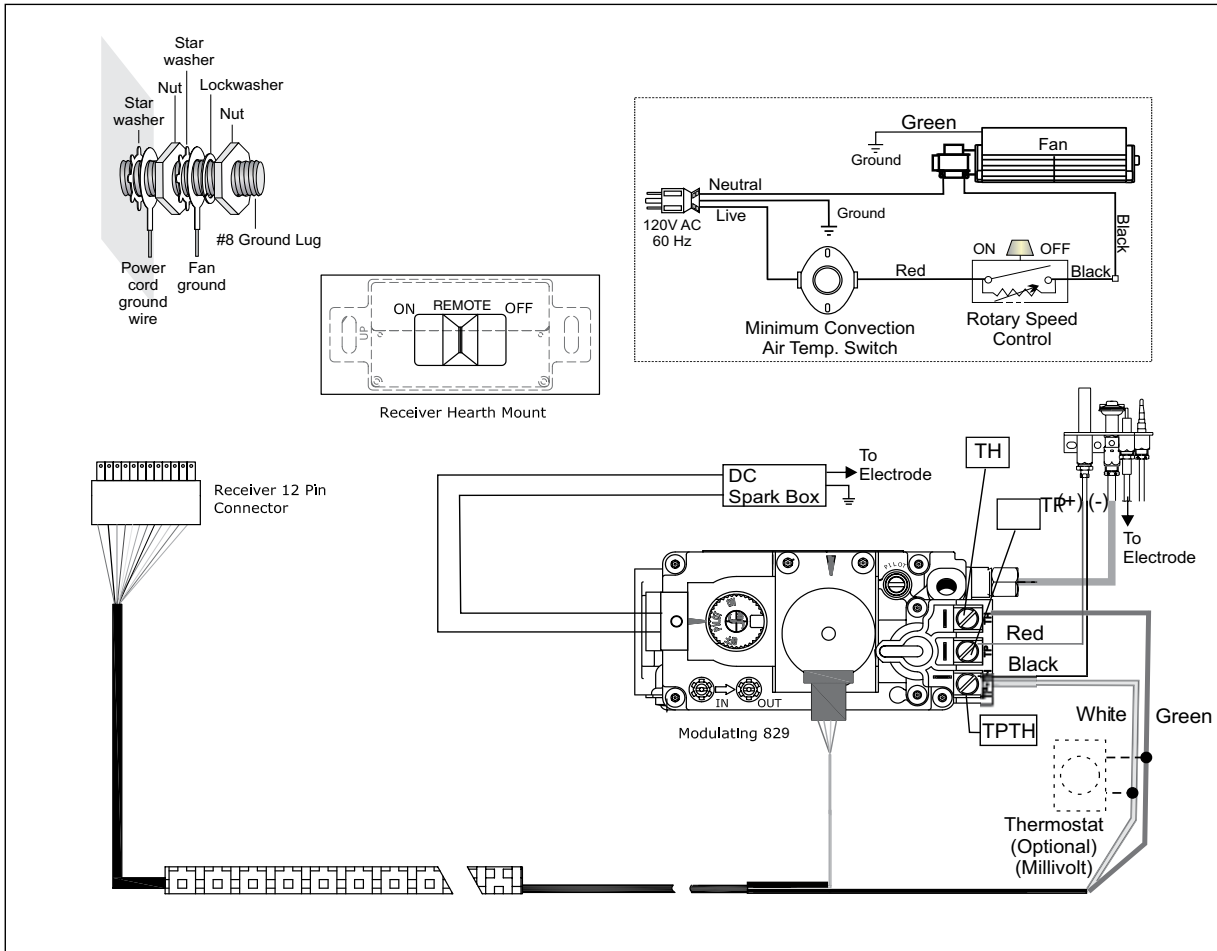


WIRING DIAGRAM

This heater does not require a 120V A.C. supply for operation. However, a 120V A.C. power supply is needed for the fan/blower operation.

Caution: Ensure that the wires do not touch any hot surfaces and are away from sharp edges.

WARNING: Electrical Grounding Instructions
This appliance is equipped with a three pronged (grounding) plug for your protection against shock hazard and should be plugged directly into a properly grounded three-prong receptacle. Do not cut or remove the grounding prong from this plug.



Optional Wall Thermostat

A wall thermostat may be installed if desired, connect the wires as per the wiring Diagram. Use table to determine the maximum wire length.

Note: Preferable if the thermostat is installed on an interior wall.

Regency® offers an optional programmable thermostat but any 250-750 millivolt rated non-anticipator type thermostat that is CSA, ULC or UL approved may be used.

Thermostat Wire Table

Recommended Maximum Lead Length (Two-Wire) When Using Wall Thermostat (CP-2 System)	
Wire Size	Max. Length
14 GA.	50 Ft.
16 GA.	32 Ft.
18 GA.	20 Ft.
20 GA.	12 Ft.
22 GA.	9 Ft.

CAUTION: Label all wires prior to disconnection when servicing controls. Wiring errors can cause improper and dangerous operation.

CAUTION
Do not wire millivolt wall thermostat wires to 120V wire.

NOTE: When the wall thermostat is connected, the remote control transmitter and all of its features are now disabled.

FIRST FIRE

The first fire in your stove is part of the paint curing process. To ensure that the paint is properly cured, it is recommended that you burn your fireplace for at least four (4) hours the first time you use it with the fan on. When first operated, the unit will release an odour caused by the curing of the paint, the burning off of any oils remaining from manufacturing. Smoke detectors in the house may go off at this time. Open a few windows to ventilate the room for a couple of hours.

The glass panel may require cleaning after the unit has cooled down.

DO NOT ATTEMPT TO CLEAN THE GLASS WHILE IT IS HOT.

Note: When the glass is cold and the appliance is lit, it may cause condensation and fog the glass. This condensation is normal and will disappear in a few minutes as the glass heats up.

During the first few fires, a white film may develop on the glass front as part of the curing process. The glass should be cleaned or the film will bake on and become very difficult to remove. Use a non-abrasive cleaner and NEVER clean the glass while it is hot.

DO NOT BURN THE APPLIANCE WITHOUT THE GLASS FRONT IN PLACE.

OPERATING INSTRUCTIONS

- 1) Read and understand these instructions before operating this appliance.
- 2) Check to see that all wiring is correct and enclosed to prevent possible shock.
- 3) Check to ensure there are no gas leaks.
- 4) Make sure the glass in the door frame is properly positioned. Never operate the appliance with the glass removed.
- 5) Verify that the venting and cap are unobstructed.
- 6) Ensure that the brick panels, if used, are installed.
- 7) Verify log placement. If the pilot cannot be seen when lighting the unit, the logs have been incorrectly positioned.

- 8) The unit should never be turned off, and on again without a minimum of a 60 second wait.
- 9) Hook up remote receiver to wire marked 'receiver' which will be located on the bottom of the appliance. This remote control requires coding. See remote control instructions for details.

NOTE: This appliance will operate during power outages. Only the fan will not operate until power is restored. If the remote batteries in both the handheld transmitter or receiver lose power, the appliance can still be operated by sliding the switch on the receiver switch from "Remote" to "ON". To turn on the appliance off slide the receiver switch from "ON" to "Remote" or "OFF".

IMPORTANT: The remote control system supplied with this appliance has several options for starting/operating the appliance, please read the remote control operating instructions (packed with remote control) to understand how to operate this remote system. You can download remote functions video with the QR code below..



Proflame video

LIGHTING PROCEDURE

IMPORTANT
Prior to igniting or re igniting the pilot, remove the glass door.

Important: If the pilot does not hold, turn pilot knob to "OFF" position. Wait 5 minutes to clear gas. If you smell gas - STOP! Follow the safety information above. If you don't smell gas, repeat Steps 1-6.

1. Push in gas control knob slightly and turn to "PILOT" position.
2. Push in control knob all the way and hold in until the pilot lights up. Continue to hold the control knob in for about 20 seconds after the pilot is lit. Release knob.
3. Push in gas control knob slightly and turn to "ON" position.
4. Ensure the receiver is in the remote position.

Set Switch to Remote



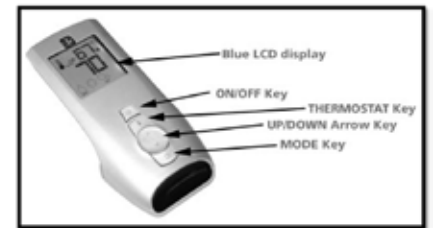
Diagram 1

5. Press and release the ON/OFF button on the remote handheld transmitter. An audible beep should be heard from the receiver.



Diagram 2

Remote shown in Manual Mode on Hi



6. The unit will turn on.

SHUTDOWN PROCEDURE

1. Press "OFF" on the remote or slide receiver switch from remote to "OFF".
2. Turn the gas control knob to the "OFF" position to turn off the pilot.

Pilot may be shut off during prolonged non use periods to conserve fuel.

COPY OF LIGHTING INSTRUCTION PLATE

FOR YOUR SAFETY READ BEFORE LIGHTING

This appliance must be installed in accordance with local codes, if any; if none, follow the National Fuel Gas Code, ANSI Z223.1/NFPA 54, or Natural Gas and Propane Installation Codes, CSA B149.1.

WARNING: If you do not follow these instructions exactly, a fire or explosion may result causing property damage, personal injury or loss of life. Improper installation, adjustment, alteration, service or maintenance can cause injury or property damage. Refer to the owner's information manual provided with this appliance. For assistance or additional information consult a qualified installer, service agency or gas supplier.

AVERTISSEMENT: Quiconque ne respecte pas à la lettre les instructions dans la présente notice risque de déclencher un incendie ou une explosion entraînant des dommages, des blessures ou la mort.

Une installation, d'ajustement, de modification, de service ou d'entretien peut provoquer des blessures ou des dommages matériels. Reportez-vous au manuel du propriétaire de l'information fournie avec cet appareil. Pour obtenir de l'aide ou des informations supplémentaires consulter un installateur qualifié, une agence de service ou fournisseur de gaz.

A) This appliance is equipped with an ignition device which automatically lights the pilot.

Do not try to light the pilot by hand.

B) **BEFORE OPERATING** smell all around the appliance area for gas. Be sure to smell next to the floor because some gas is heavier than air and will settle on the floor.

WHAT TO DO IF YOU SMELL GAS

- Do not try to light any appliance.
- Do not touch any electric switch, do not use any phone in your building.
- Immediately call your gas supplier from a neighbour's phone. Follow the gas supplier's instructions.
- If you cannot reach your gas supplier, call the fire department.

C) Do not use this appliance if any part has been under water. Immediately call a qualified service technician to inspect the appliance and replace any part of the control system and any gas control which has been underwater.

A) Cet appareil est muni d'un dispositif d'allumage qui allume automatiquement la veilleuse. Ne tentez pas d'allumer la veilleuse manuellement.

B) **AVANT DE FAIRE FONCTIONNER**, reniflez tout autour de l'appareil pour détecter une odeur de gaz. Reniflez près du plancher, car certains gaz sont plus lourds que l'air et peuvent s'accumuler au niveau du sol.

QUE FAIRE SI VOUS SENTEZ UNE ODEUR DE GAZ :

- Ne pas tenter d'allumer d'appareil
- Ne touchez à aucun interrupteur; ne pas vous servir des téléphones se trouvant dans le bâtiment.
- Appelez immédiatement votre fournisseur de gaz depuis un voisin. Suivez les instructions du fournisseur.
- Si vous ne pouvez rejoindre le fournisseur, appelez le service des incendies

C) N'utilisez pas cet appareil s'il a été plongé dans l'eau, même partiellement. Faites inspecter l'appareil par un technicien qualifié et remplacez toute partie du système de contrôle et toute commande qui ont été plongés dans l'eau.

CAUTION: Hot while in operation. Do not touch. Severe Burns may result. Due to high surface temperatures keep children, clothing and furniture, gasoline and other liquids having flammable vapors away. Keep burner and control compartment clean. See installation and operating instructions accompanying appliance.

LIGHTING INSTRUCTIONS

Important: If the pilot does not hold, turn pilot knob to "OFF" position. Wait 5 minutes to clear gas. If you smell gas - STOP! Follow the safety information above. If you don't smell gas, repeat Steps 1-6.

- 1) Push in gas control knob slightly and turn to "PILOT" position.
- 2) Push in control knob all the way and hold in until the pilot lights up. Continue to hold the control knob in for about 20 seconds after the pilot is lit. Release knob.
- 3) Push in gas control knob slightly and turn to "ON" position.
- 4) Ensure the receiver is in the remote position.
- 5) Press and release the ON/OFF button on the remote handheld transmitter. An audible beep should be heard from the receiver.
- 6) The unit will turn on.

Important : Si le pilote ne tient pas, tourner le bouton pilote en position "ARRÊT". Attendre 5 minutes pour effacer du gaz. Si vous avez une odeur de gaz - STOP ! Suivez les consignes de sécurité ci-dessus. Si vous n'avez pas une odeur de gaz, répétez les étapes 1 à 6.

- 1) Enfoncez légèrement le bouton de réglage du gaz et tournez-le à la position « PILOT » (VEILLEUSE).
- 2) Enfoncez le bouton de réglage jusqu'au fond et tenez-le jusqu'à ce que la veilleuse s'allume. Tenez le bouton de réglage enfoncé environ 20 secondes après l'allumage de la veilleuse. Relâchez le bouton.
- 3) Enfoncez légèrement le bouton de réglage et tournez-le à la position « ON » (EN MARCHÉ).
- 4) S'assurer que l'interrupteur mural/récepteur soit en position télécommande.
- 5) Appuyer sur la touche ON/OFF de la télécommande et relâcher. Un bip sonore se fera entendre depuis le récepteur
- 6) Les flammes s'allumeront.

TO TURN OFF GAS APPLIANCE

- 1) Press "OFF" on the remote or slide receiver switch from remote to "OFF".
 - 2) Turn the gas control knob to the "OFF" position to turn off the pilot. Pilot may be shut off during prolonged non use periods to conserve fuel.
- 1) Appuyez sur le bouton "OFF" sur la télécommande ou sur la diapositive interrupteur récepteur de télécommande sur "OFF".
 - 2) Mettre le bouton de commande de gaz en position OFF pour éteindre la veilleuse. Pour économiser le carburant, éteignez la veilleuse quand l'appareil reste longtemps inutilisé.

DO NOT REMOVE THIS INSTRUCTION PLATE

919-456

AUTOMATIC
CONVECTION
FAN OPERATION

The fan operates automatically. Turn the knob on the side of the faceplate to adjust to the desired speed. The fan will turn on as the stove comes up to operating temperature. After the unit has been turned off and the unit has been cooled to below useful heat output range, the fan will shut off automatically.

NORMAL OPERATING
SOUNDS OF
GAS APPLIANCES

It is possible that you will hear some sounds from your gas appliance. This is perfectly normal due to the fact that there are various gauges and types of steel used within your appliance. Listed below are some examples. All are **normal operating sounds** and should not be considered as defects in your appliance.

Blower:

Regency gas appliances use high tech blowers to push heated air farther into the room. It is not unusual for the fan to make a "whirring" sound when ON. This sound will increase or decrease in volume depending on the speed setting of your fan speed control.

Burner Tray:

The burner tray is positioned directly under the burner tube(s) and logs and is made of a different gauge material from the rest of the firebox and body. Therefore, the varying thicknesses of steel will expand and contract at slightly different rates which can cause "ticking" and "cracking" sounds. You should also be aware that as there are temperature changes within the unit. These sounds will likely re-occur. Again, this is normal for steel fireboxes.

Blower Thermodisc:

When thermally activated switch turns ON, it will create a small "clicking" sound. This is the contact switch closing.

Pilot Flame:

While the pilot flame is on it will make a slight "whisper" sound.

Gas Control Valve:

As the gas control valve turns ON and OFF, a dull clicking sound may be heard. This is normal operation of a gas regulator or valve.

Unit Body and Firebox:

Different types and thicknesses of steel will expand and contract at different rates resulting in some "cracking" and "ticking" sounds which will be heard throughout the cycling process.

MAINTENANCE INSTRUCTIONS

- 1) Always turn the gas valve to the off position before cleaning. For relighting, refer to lighting instructions. Keep the burner and control compartment clean by brushing and vacuuming at least once a year. When cleaning the logs, use a clean soft paint brush as the logs are fragile and easily damaged.
- 2) Clean (never when unit is hot) appliance, with a damp cloth. Never use an abrasive cleaner. The optional finishes may be scratched if abrasives are used to clean them. The heater is finished in a heat resistant paint and should only be refinished with heat resistant paint (not with wall paint). Regency uses StoveBrite Paint - Metallic Black #6309.
- 3) Make a periodic check of the burner for proper position and condition. Visually check the flame of the burner periodically, making sure the flames are steady: not lifting or floating. If there is a problem, call a qualified service person.
- 4) The appliance and venting system must be inspected before use, and at least annually, by a qualified field service person, to ensure that the flow of combustion and ventilation air is not obstructed. During the annual service call, the burners should be removed and cleaned from the burner tray.
- 5) Keep the area near the appliance clear and free from combustible materials, gasoline and other flammable vapours and liquids.

WARNING: CHILDREN AND ADULTS SHOULD BE ALERTED TO THE HAZARDS OF HIGH

SURFACE TEMPERATURE AND SHOULD STAY AWAY TO AVOID BURNS OR CLOTHING IGNITION. YOUNG CHILDREN SHOULD BE CAREFULLY SUPERVISED WHEN THEY ARE IN THE SAME ROOM AS THE APPLIANCE.

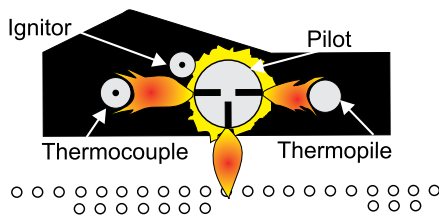
CAUTION: ANY SAFETY SCREEN OR GUARD REMOVED FOR SERVICING AN APPLIANCE MUST BE REPLACED PRIOR TO OPERATING THE APPLIANCE. CLOTHING OR OTHER

FLAMMABLE MATERIAL SHOULD NOT BE PLACED ON OR NEAR THE APPLIANCE.

- 6) Each time the appliance is lit, it may cause condensation and fog the glass. This condensation and fog is normal and will disappear in a few minutes as the glass heats up.

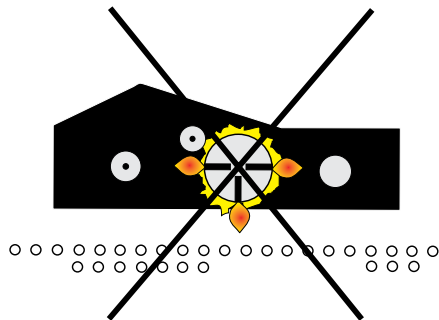
Never operate the appliance without the glass properly secured in place or with the door open.
- 7) Do not use this appliance if any part has been under water. Immediately call a qualified service technician to inspect the appliance and to replace any part of the control system and any gas control which has been under water.
- 8) Periodically check the pilot flames. Correct flame pattern has three strong blue flames: 1 flowing around the thermopile and 1 around the thermocouple, and 1 flowing across the front of the burner.

Note: If you have an incorrect flame pattern, contact your Regency dealer for further instructions.



Front Burner Tube

Incorrect flame pattern will have small, probably yellow flames, not coming into proper contact with the rear of the burner or thermopile.



*Front Burner Tube
Top View of pilot flame*

GENERAL VENT MAINTENANCE

Conduct an inspection of the venting system semi-annually. Recommended areas to inspect as follows:

- 1) Check the Venting System for corrosion in areas that are exposed to the elements. These will appear as rust spots or streaks, and in extreme cases, holes. These components should be replaced immediately.
- 2) Remove the Termination Cap, and shine a flashlight down the Vent. Remove any bird nests, or other foreign material.
- 3) Check for evidences of excessive condensation, such as water droplets forming in the inner liner, and subsequently dripping out the joints. Continuous condensation can cause corrosion of caps, pipe, and fittings. It may be caused by having excessive lateral runs, too many elbows, and exterior portions of the system being exposed to cold weather.
- 4) Inspect joints to verify that no pipe sections or fittings have been disturbed, and consequently loosened. Also check mechanical supports such as Wall Straps, or plumbers' tape for rigidity.

LOG REPLACEMENT

The unit should never be used with broken logs. Turn off the gas valve and allow the unit to cool before opening door to carefully remove the logs. The pilot light generates enough heat to burn someone. If for any reason a log should need replacement, you must use the proper replacement log. The position of these logs must be as shown in the diagram under Log Installation.

NOTE: Improper positioning of logs may create carbon build-up and will alter the unit's performance which is not covered under warranty.

GLASS GASKET

If the glass gasket requires replacement use a tadpole gasket for the Flush Front (Part # 936-155).

DOOR GLASS

Your Regency stove is supplied with high temperature, 5mm Neoceram ceramic glass that will withstand the highest heat that your unit will produce. Do not abuse the glass by striking the surface or by slamming the door shut.

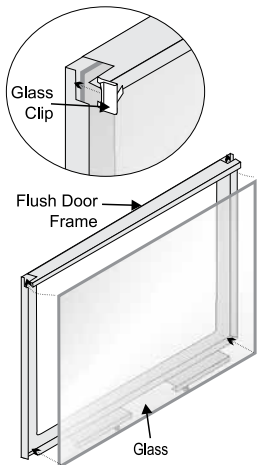
If your glass requires cleaning, we recommend using an approved glass cleaner available at all authorized dealers. **Do not use abrasive materials. Do not clean the glass when hot.**

In the event that you break your glass by impact, purchase your replacement from an authorized Regency dealer only, do not use substitute materials. Follow our step-by-step instructions for replacement. **Warning: Wear gloves when removing damaged or broken glass.**

Caution: Do not operate appliance with glass panels removed, cracked or broken. Replacement of the glass should be done by a licensed or qualified service person.

Flush Glass Replacement

Remove the flush door front (refer to the "Standard Flush Door" section). Remove the 4 glass clips from each corner. Slide in the new replacement glass. Push the 4 glass clips back onto the frame.



To Remove Fan:

- 1) Turn the unit off and allow it to cool down to room temperature.
- 2) Unplug or disconnect power source to stove.
- 3) Remove the safety screen and glass door, see instructions in manual.
- 4) Remove logs and grate -see manual for details.
- 5) Remove optional brick panel set, if installed (refer to the "Optional Brick Panel" section).
- 6) Remove base brick set. (When removing base brick sides the two screws that hold the grate down must be removed first).

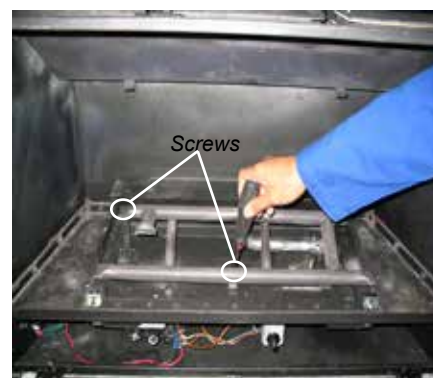


- 7) Straighten the adjustment wire under the firebox base.

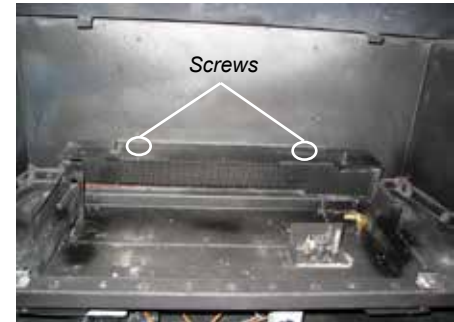


Straighten adjustment wire.

- 8) Remove the Burner by removing the 2 screws (1 on burner bracket and one on valve tray). Tilt up the left burner and slide to the left away from the orifice.



- 9) Remove the rear log support by unscrewing the 2 screws.



- 10) Remove the 12 screws holding the Access Panel in place.

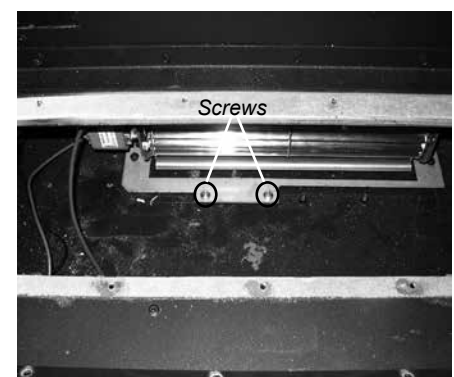


Fan Access Plate Screws

- 11) Unplug the wires from the fan motor (from inside the stove).



- 12) Remove the 2 screws from the fan bracket.

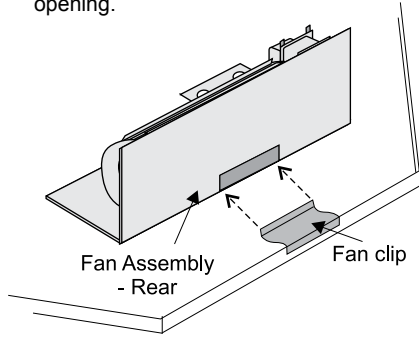


FAN MAINTENANCE

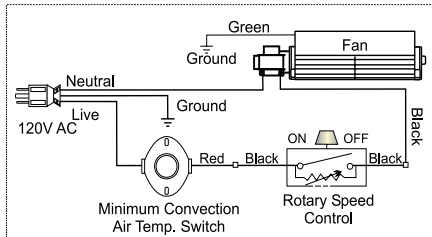
If your fan requires maintenance or replacement, access to the fan is through the plate on the floor of the firebox. **NOTE: the unit MUST NOT be operated without the fan access panel securely in place.**

Caution: Label all wires prior to disconnecting when servicing controls. Wiring errors can cause improper and dangerous operation. Verify proper operation after servicing.

- 13) Pull Fan Assembly forward, to disengage the fan clip on the rear wall. Then lift the Fan Assembly up and pull through firebox opening.



- 14) Disconnect green wire from power cord.



Replacing fan:

- 15) Reverse above steps.

Seal fan access panel using high temperature silicone (sparingly).

VALVE ASSEMBLY REMOVAL AND INSTALLATION

- 1) Turn the unit off and allow it to cool down to room temperature.
- 2) Unplug or disconnect power source.
- 3) Shut off the main gas supply.
- 4) Remove the safety screen and glass door.
- 5) Remove logs and grate.
- 6) Remove optional brick set, if installed.

- 7) Remove base brick set. (When removing base brick sides the two screws that hold the grate down must be removed first).

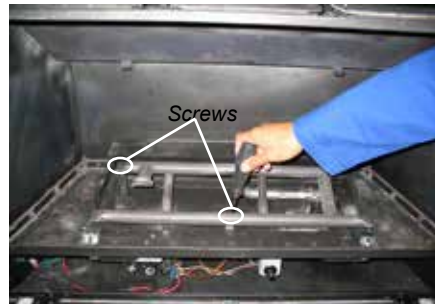


- 8) Straighten the adjustment wire under the firebox base.

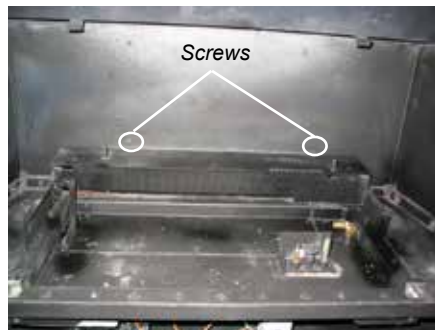


Straighten adjustment wire.

- 9) Remove the Burner by removing the 2 screws (1 on burner bracket and one on valve tray). Tilt up the left burner and slide to the left away from the orifice.



- 10) Remove the rear log support by unscrewing the 2 screws.



- 11) Disconnect the inlet gas line.

- 12) Unplug the black and red wires at the valve. Undo the 2 TP wires at the valve.

- 13) Remove the 17 screws on the valve tray.



- 14) Take out the valve tray from the unit.



- 15) Scrape off the old gasket from the floor of the firebox and from the valve access plate.

- 16) Install new gasket and valve assembly (reverse steps 9-14).

NOTE: Failure to install a new gasket may severely affect the appliance performance.

- 17) Hook up gas line and check for gas leaks with soap and water solution or a gas leak detector. **Do not use open flame for leak testing.**

- 18) Set up the air shutter to 5/16" for NG and 7/16" for LP.

- 19) Fire up the unit temporarily.

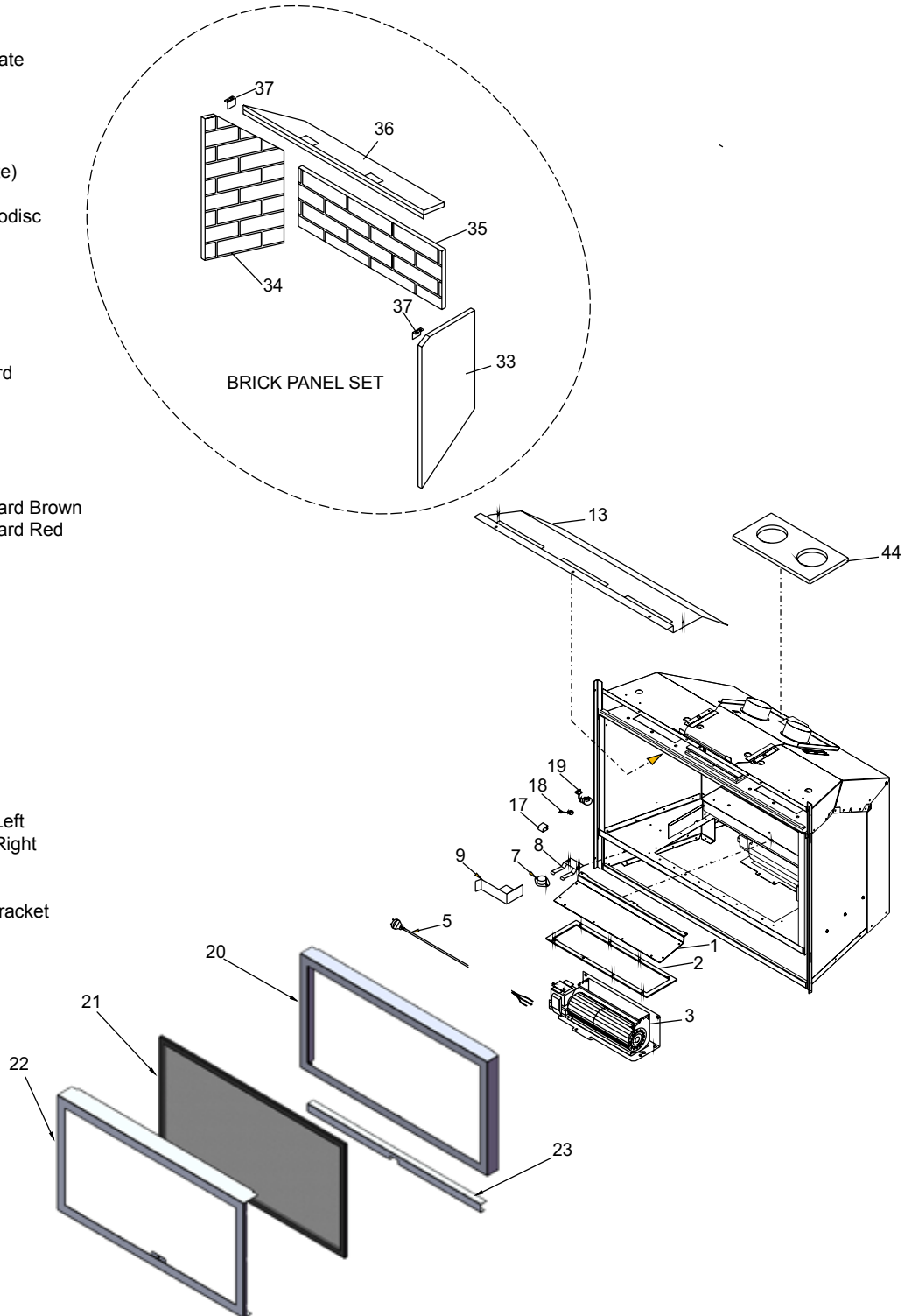
- 20) Check the manifold pressure 3.8" W.C. for NG and 11" W.C. for LP.

- 21) Reverse steps 4-8.

MAIN ASSEMBLY

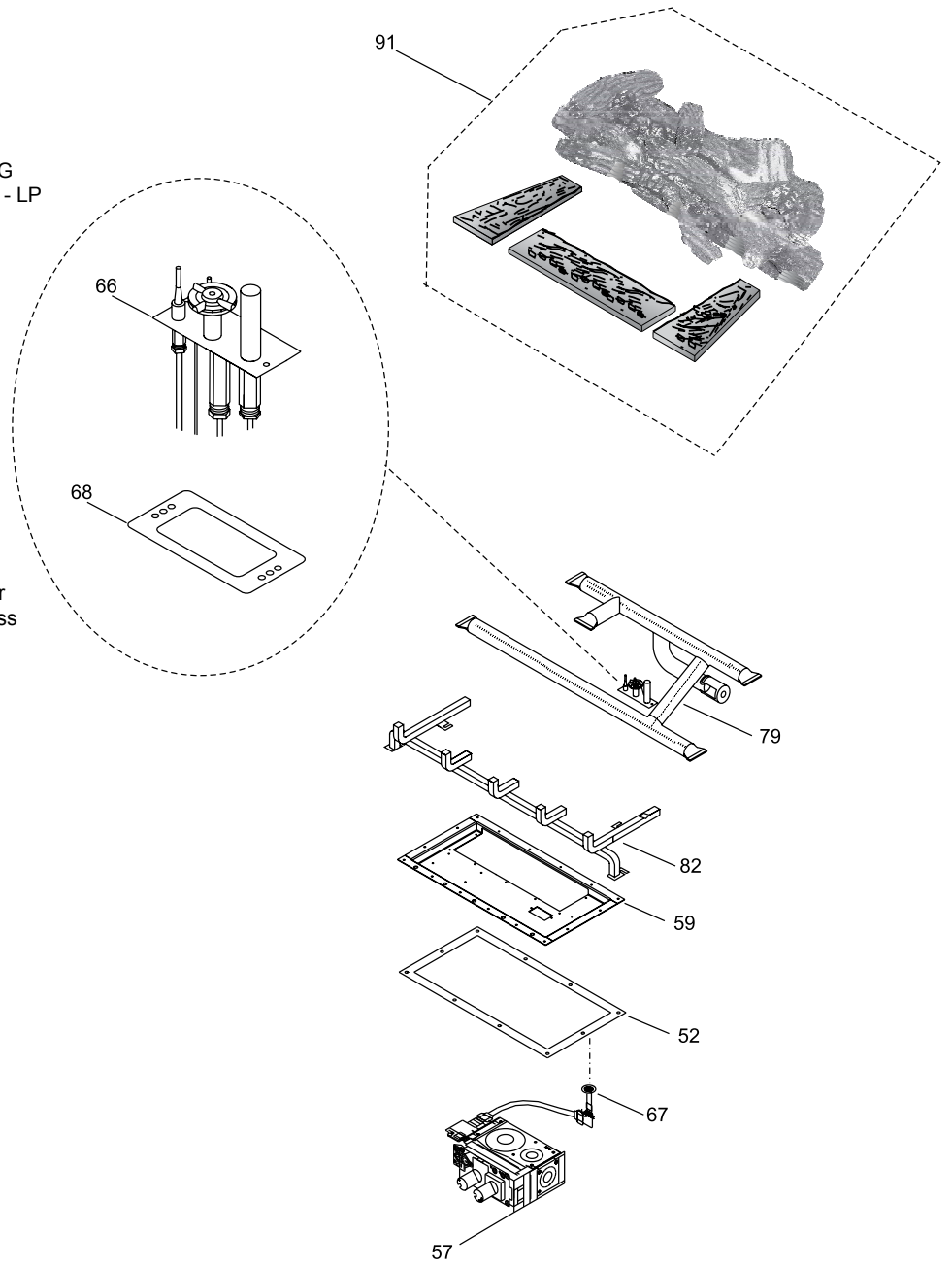
Part #	Description
1) 340-038	Fan Access Plate
2) 340-103	Gasket - Fan Access Plate
3) 320-517/P	Fan Assembly 120 V
910-331/P	Fan Motor 120 V
5) 910-750	Power Cord
910-752	Wire Harness (Faceplate)
7) 910-142	Fan Auto On/Off Thermodisc
8) *	Thermodisc Bracket
9) 320-070	Fan Switch Cover
13) *	Baffle Plate
17) *	Wire Holder Clip
18) *	Strain Relief
19) *	Grommet for Power Cord
20) 342-010	Door Trim
21) 342-013	Mesh
22) 342-012	ScreenFrame
23) 342-011	Bottom Inside Frame
340-901	Brick Panel Set - Standard Brown
340-902	Brick Panel Set - Standard Red
33) *	Brick Panel - Right
34) *	Brick Panel - Left
35) *	Brick Panel - Back
36) *	Brick Clip
37) 340-094	Brick Clip
340-043	Trim Brick Front
340-528	Base Brick Panel (3pc)
43) *	Stove Top
45) *	Adaptor Stop
46) *	Adaptor Holding Brkt - Left
47) *	Adaptor Holding Brkt - Right
48) 340-523	Flue Adaptor Assembly
49) 340-099	Thermal Insulation
50) *	Insulation Hold Down Bracket
51) *	
919-379	Manual

* Not available as a replacement part.



BURNER & LOG ASSEMBLY

Part #	Description
52) 340-104	Gasket - Valve Tray
342-574/P	Valve Assembly - NG
342-576/P	Valve Assembly - LP
57) 910-578	Valve - S.I.T. - Natural Gas
910-580	Valve - S.I.T. - Propane
59) *	Valve Tray
66) 910-038	Pilot Assy-3 Flame-S.I.T.-NG
910-039	Pilot Assy - 3 Flame - S.I.T. - LP
67) 904-690	Orifice #31 - NG
904-641	Orifice #50 - LP
936-170	Orifice Gasket
68) W840470	Pilot assembly gasket
910-386	Thermocouple
910-341	Thermopile
910-432	Pilot Tube
910-096	Pilot Hood 3 way
910-030	Electrode
910-036	Pilot Orifice NG
910-037	Pilot Orifice LP
79) 948-433	Burner Assy - NG/LP
82) 340-047	Burner Grate
910-572	Remote Receiver
910-592	Remote Transmitter
911-127	Receiver compartment door
911-164	Valve/Remote wiring harness
342-969	Conversion Kit- LP
340-930	Complete Log Set
*	Bottom Log
*	Center Top Log
*	Front Log
*	Left Log
*	Right Log
*	Top Left Log
*	Rear Log
*	Top Right Log

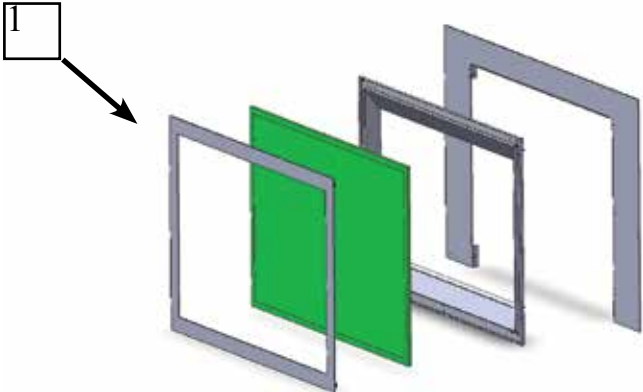


* Not available as a replacement part.

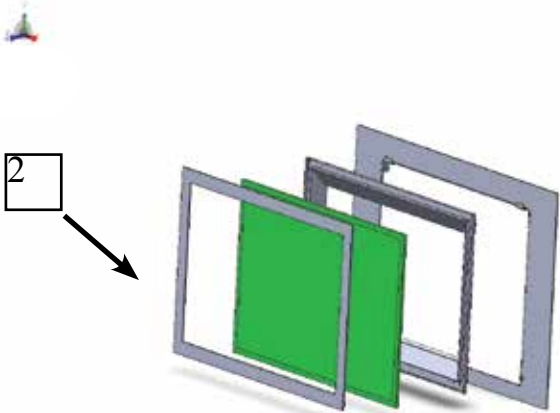
VIGNETTE FACEPLATE

Part #	Description	5	342-957	Enlarge Backing Plate	*	342-924	Faceplate Low Profile Mt. Black	
1	342-914	Faceplate Vignette Mt. Black	342-954	Backing Plate Custom 3-Sided Vignette	*	342-934	Faceplate Vignette 4 sided.Mt. Black	
2	342-934	Faceplate Vignette 4 sided Mt. Black	342-959	Backing Plate Custom 4 Sided Vignette	*	342-958	Backing Plate Custom 3 sided	
3	342-952	Hearth Trim 2" Non-adjustable	6	342-956	Spacer Vignette Mt. Blk	*	342-959	Backing Plate Custom 4 sided
4	342-918	Vignette Door Inlay Chrome	7	299-955	Hearth Trim Adjustable	*		Not Shown
	342-919	Vignette Door Inlay Metallic Black	*	342-924	Faceplate Low Profile Mt. Blk			
	342-920	Vignette Door Inlay Tuscan Sunset						

3 Sided Vignette Faceplate



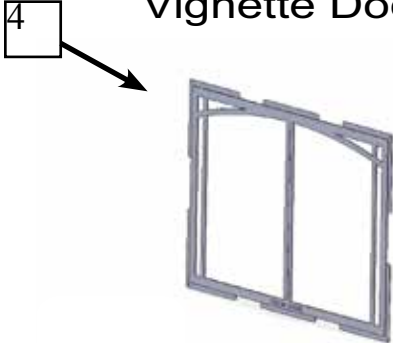
4 Sided Vignette Faceplate



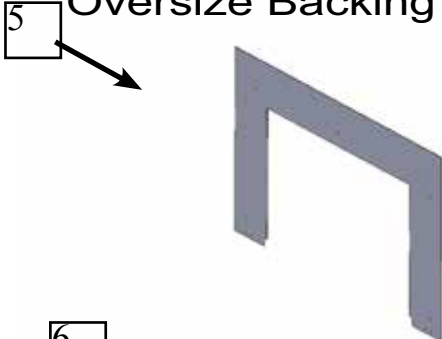
Hearth Trim Non-Adjustable



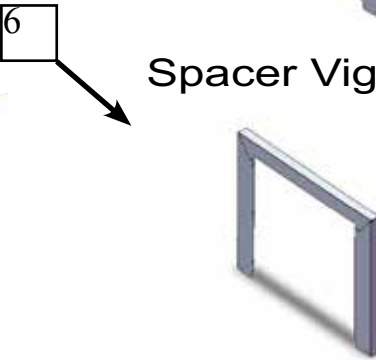
Vignette Door Inlay



Enlarge Backing Plate



Spacer Vignette



Hearth Trim Adjustable





Regency Fireplace Products are designed with reliability and simplicity in mind. In addition, our internal Quality Assurance Team carefully inspects each unit thoroughly before it leaves our facility. FPI Fireplace Products International Ltd. is pleased to extend this limited lifetime warranty to the original purchaser of a Excalibur Product. This warranty is not transferable.

The Warranty: Limited Lifetime

The combustion chamber, heat exchanger, burner tubes/pans, logs, brick panels and gold plating (against defective manufacture only) are covered under the Limited Lifetime Warranty for five (5) years for parts and subsidized labour* and parts only thereafter.

Glass is covered for lifetime against thermal breakage only, parts and subsidized labour* for five (5) years and parts only thereafter from date of purchase.

External casting, surrounds and grills are covered against cracks and warps resulting from manufacturer defects, parts and subsidized labour* for three (3) years from the date of purchase and parts only thereafter.

Special Finishes - One year on brushed nickel, black chrome and antique copper full screens, Vignette Faceplates and doors. You can expect some changes in color as the product "ages" with constant heating and cooling. FPI warrants the product for any manufacturing defects on the original product. However, the manufacturers warranty does not cover changing colors and marks, ie. finger prints, etc applied after the purchase of the product. Damage from the use of abrasive cleaners is not covered by warranty.

Electrical and mechanical components such as blowers, switches, wiring, thermodiscs, FPI remote controls, spill switches, thermopiles, thermocouples, pilot assembly components, and gas valves are covered for two years parts and one year subsidized labour* from the date of purchase. Blowers and valves replaced under warranty are considered repairs and continue as if new with appliance. ie. twelve (12) months from original purchase date of appliance with a minimum of three (3) months coverage from date of replacement.

FPI venting components are covered parts and subsidized labour* for three (3) years from date of purchase.

Simpson Dura-Vent venting components (Direct Vent units) are covered by Simpson Dura-Vent Inc. warranty.

Repair/replacement parts purchased by the consumer from FPI after the original coverage has expired on the unit will carry a 90 day warranty, valid with a receipt only. Any item shown to be defective will be repaired or replaced at our discretion. No labor coverage is included with these parts.

Conditions:

Any part or parts of this unit which in our judgement show evidence of such defects will be repaired or replaced at FPI's option, through an accredited distributor or agent provided that the defective part be returned to the distributor or agent Transportation Prepaid, if requested.

Porcelain/Enamel - Absolute perfection is either guaranteed nor commercially possible. Any chips must be reported and inspected by an authorized dealer within three days of installation. Reported damage after this time will be subject to rejection.

It is the general practice of FPI to charge for larger, higher priced replacement parts and issue credit once the replaced component has been returned to FPI and evaluated for manufacturer defect.

The authorized selling dealer is responsible for all in-field service work carried out on your Regency product. FPI will not be liable for results or costs of workmanship from unauthorized service persons or dealers.

At all times FPI reserves the right to inspect product in the field which is claimed to be defective.

All claims must be submitted to FPI by authorized selling dealers. It is essential that all submitted claims provide all of the necessary information including customer name, purchase date, serial #, type of unit, problem, and part or parts requested, without this information the warranty will be invalid.

Exclusions:

This limited Lifetime Warranty does not extend to or include paint, door or glass gasketing or trim.

At no time will FPI be liable for any consequential damages which exceed the purchase price of the unit. FPI has no obligation to enhance or modify any unit once manufactured. ie. as products evolve, field modifications or upgrades will not be performed.

FPI will not be liable for travel costs for service work.

Installation and environmental problems are not the responsibility of the manufacturer and therefore are not covered under the terms of this warranty policy.

Embers, rockwool, gaskets, door handles and paint are not covered under the terms of this warranty policy.

Any unit which shows signs of neglect or misuse is not covered under the terms of this warranty policy.

The warranty will not extend to any part which has been tampered with or altered in any way, or in our judgment has been subject to misuse, improper installation, negligence or accident, spillage or downdrafts caused by environmental or geographical conditions, inadequate ventilation, excessive offsets, negative air pressure caused by mechanical systems such as furnaces, fans, clothes dryer, etc.

Freight damage to stoves and replacement parts is not covered by warranty and is subject to a claim against the freight carrier by the dealer.

FPI will not be liable for acts of God, or acts of terrorism, which cause malfunction of the appliance.

Performance problems due to operator error will not be covered by this warranty policy.

Products made or provided by other manufacturers and used in conjunction with the operation of this appliance without prior authorization from FPI, may nullify your warranty on this product.

Any alteration to the unit which causes sooting or carboning that results in damage to the interior / exterior facia is not the responsibility of FPI.

* Subsidy according to job scale as predetermined by FPI.

Register your Regency® warranty online www.regency-fire.com

Reasons to register your product online today!

- View and modify a list of all your registered products.
- Request automatic email notification of new product updates.
- Stay informed about the current promotions, events, and special offers on related products.

Installer: Please complete the following information

Dealer Name & Address: _____

Installer: _____

Phone #: _____

Date Installed: _____

Serial No.: _____